

10" Rough-in

### Features:

#### VP-21-500

- Vitreous China
- Combination bowl and tank
- 3" Flush valve with Fluidmaster® fill valve for quiet fill
- 10" Rough-in
- Round Front bowl
- Dual-fed siphon jet action bowl (no splashing)
- 2" Fully Glazed trapway for effective waste removal
- Color matched metal tank lever
- 6 point tank to bowl connection for tank stability
- Sanitary bead for easy cleaning
- Color matched Bolt caps included
- Toilet seat not included



### Technical Information:

#### Included Components:

- Combination VP-21-500
- Bowl VP-21-552
- Tank VP-28-595

#### Other Tank Options: (bowl to be purchased separately)

- Tank with Right Hand Lever VP-28-595-97

### Fixtures:

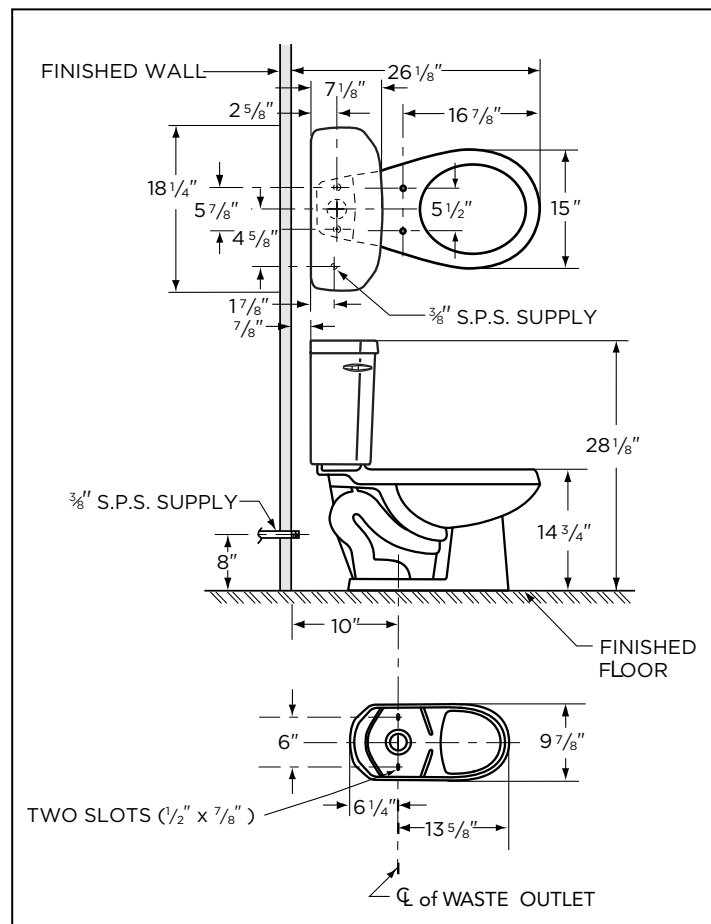
|                     |                        |
|---------------------|------------------------|
| Configuration       | two-piece, round front |
| Water per Flush     | 1.6 gpf (6 lpf)        |
| Rough-In            | 10"                    |
| Height              | 28 1/8"                |
| Width               | 18 1/4"                |
| Depth               | 25 1/4"                |
| Trapway             | 2"                     |
| Large Water Surface | 9 3/8" x 7"            |
| Shipping Weight     | 66 lbs                 |

### Colors/Finishes:

- Other: Refer to Price Book for additional colors/finishes

### Warranty:

- 5 year, Limited Lifetime Warranty



NOTES: All dimensions are in inches. Illustrations may not be drawn to scale.

#### IMPORTANT:

Dimensions of fixtures are nominal and may vary within the range of tolerances established by ASME standard A 112.19.2 THIS FIXTURE QUALIFIES ACCORDING TO ASME TEST PROCEDURES AS A HIGH EFFICIENCY WATER CLOSET WITH AN AVERAGE CONSUMPTION OF 1.6 gpf (6.0 Lpf) OR LESS.