

INSTALLATION / INSTALACIÓN / INSTALLATION

PREPARATION INSTRUCTIONS / INSTRUCCIONES DE PREPARACIÓN / INSTRUCTIONS DE PRÉPARATION:

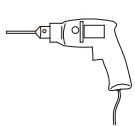
- WATER SUPPLY LINES MUST BE SIZED TO PROVIDE AN ADEQUATE VOLUME OF WATER FOR EACH FIXTURE.

DEBE EVALUARSE EL TAMAÑO DE LOS CONDUCTOS DE ALIMENTACIÓN DE AGUA PARA OBTENER UN VOLUMEN DE AGUA ADECUADO EN CADA APARATO SANITARIO.

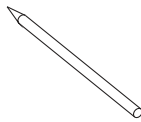
LES CONDUITES D'EAU DOIVENT ÊTRE DE LA BONNE DIMENSION POUR FOURNIR LE VOLUME D'EAU ADÉQUAT À CHAQUE APPAREIL.

- FLUSH ALL WATER LINES PRIOR TO INSTALLING FLUSHOMETER.
ENJUAGUE TODOS LOS CONDUCTOS DE AGUA ANTES DE INSTALAR LA VÁLVULA DE LIMPIEZA AUTOMÁTICA.
RINCER TOUTES LES CONDUITES D'EAU AVANT D'INSTALLER LE ROBINET DE CHASSE D'EAU.

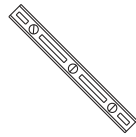
TOOLS REQUIRED:/HERRAMIENTAS NECESARIAS: / OUTILS REQUIS:



Driller
Taladradora
Perceuse



Marking pencil
Marqueur
Lápiz marcador



Ruler
Regla
Règle

Please note: For proper function, this valve has to be used with shower heads rated at 2.0 GPM (7.57 LPM) or higher.

SAFETY TIPS

- Caution: If you use soldering for the installation of this faucet, the seats cartridges and washers will have to be removed before turning on the flame. Damage to the cartridge and seats will occur if left intact while soldering and will result in the warranty being void on these parts.
- Cover your drain to avoid losing parts.

CONSEJOS DE SEGURIDAD

- Advertencia: Si usa soldadura para la instalación de este grifo, remueva los componentes internos y las arandelas antes de encender la llama. Si no se remueven, estas piezas se dañarán durante la soldadura, lo que resultará en la anulación de la garantía para estas piezas.
- Tape la boca del desagüe para prevenir la pérdida de piezas pequeñas.

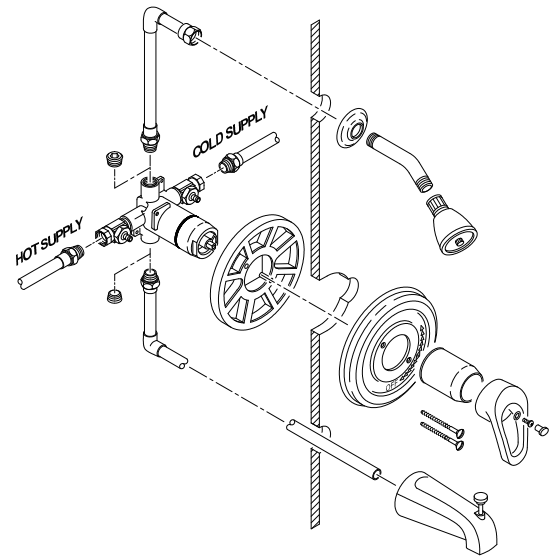
CONSEILS DE SÉCURITÉ

- Attention : Si vous effectuez l'installation de ce robinet par soudage, vous devez enlever les sièges de cartouche et les rondelles avant d'allumer la flamme. La cartouche et les sièges seront endommagés s'ils sont laissés en place lors du soudage, entraînant ainsi l'annulation de la garantie de ces pièces.
- Couvrez le drain à fin de ne pas perdre de pièces.

Safetemp™ Pressure Balance Tub And Shower Faucet

Safetemp™ Grifo de presión balanceada para bañera y ducha

Safetemp™ Robinet à régulateur de pression pour bain et douche



49-730
49-731
49-733

Shown / Mostrado / Illustré



GERBER

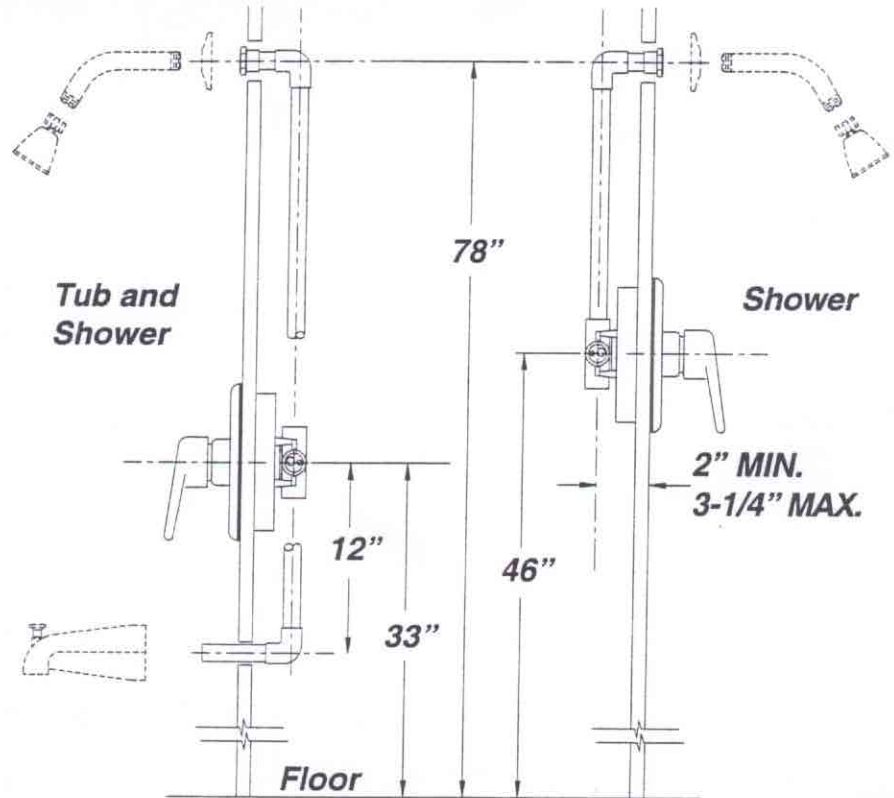
Gerber Plumbing Fixtures LLC.
2500 Internationale Parkway, Woodridge, IL 60517, U.S.A.
(Sales Office/Oficina de ventas/Bureau de vente)
Toronto: 189 Earl Stewart Drive, Unit #5, Aurora, ON L4G 6V5, Canada
(CS & Tech/SC y Tec./SC et Tech)
Montreal: 4610 Bois Franc, Montreal, QC H4S 1A7, Canada
www.gerberonline.com 1-888-648-6466

Standard Installation

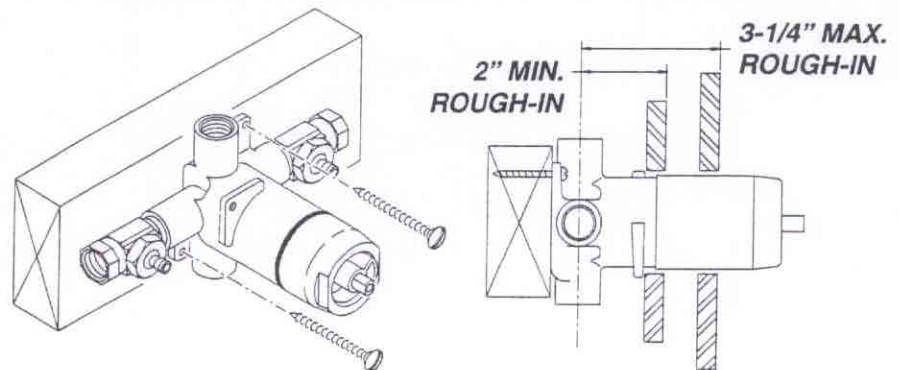
1. Turn off the hot and cold water supplies or the main supply line. Cut all necessary rough-in holes. *Do not over cut the diameters of rough-in holes.* To protect your tub or shower from tool damage, place protective matting in the tub base and work area.
2. Mount the valve body assembly as per Rough-in or Thin wall installation drawings below. Attach Hot and Cold supply lines with rigid pipe. Use 1/2" solder connections or NPT pipe threads on the valve body inlets and outlets. Assure that the water supply lines are in proper orientation to the valve body. See cover page for hot and cold water orientation. The valve body has **SHR**, and **TUB** raised letters. Use the plaster guard to protect valve from grout, paint, and other damage.
3. Use pipe-joint compound or teflon tape on all threaded assemblies.
4. Connect the shower and spout piping to the valve body. Do not install the showerhead until the system has been flushed. When sweating copper pipe joints, be careful to not overheat the valve body. Be sure to clean all flux from sweated pipe joints. This will inhibit green-colored oxidation.
5. Depending on the intended purpose, use a 1/2" sweat plug or a 1/2" NPT plug with teflon tape and pipe-joint compound to close off either the shower or tub porthole.
6. Install the shower arm with a strap wrench. Do not install showerhead!
7. After all piping and threaded assemblies are made, flush the valve and piping system with hot and cold water for approximately one minute.
8. Install the showerhead and tub spout and check all fittings for leaks.
9. Install all of the trim hardware and handle to complete the installation.
10. Recheck your work to assure that all fittings are secure and that there are **no leaks or loose assemblies.**

Thank you for purchasing our product!

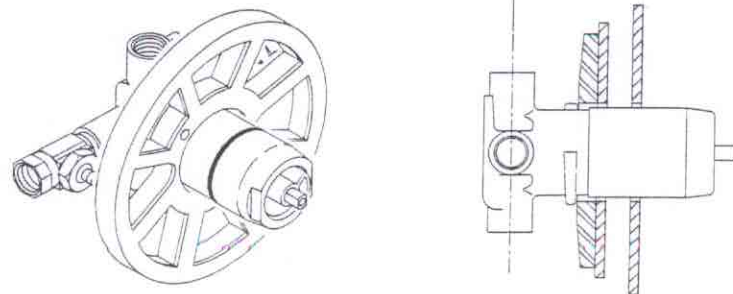
Standard Fixture Dimensions:



Rough-in Installation: Thin Wall Plate Not Used



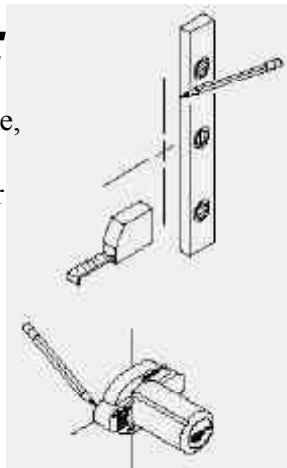
Thin wall Installation: Use Thin Wall Plate



Safetemp™ Pressure Balance Instructions Simplified:

1. Use a level, tape measure, and pencil to locate center lines of valve body, shower arm, and tub spout.

2. Align the plaster guard with the drawn lines and trace an outline of the plaster guard.



4. Cut out the traced plaster guard outline 1/8" larger than the original tracing. Use hole saws and a fine-toothed handsaw to remove wall material.

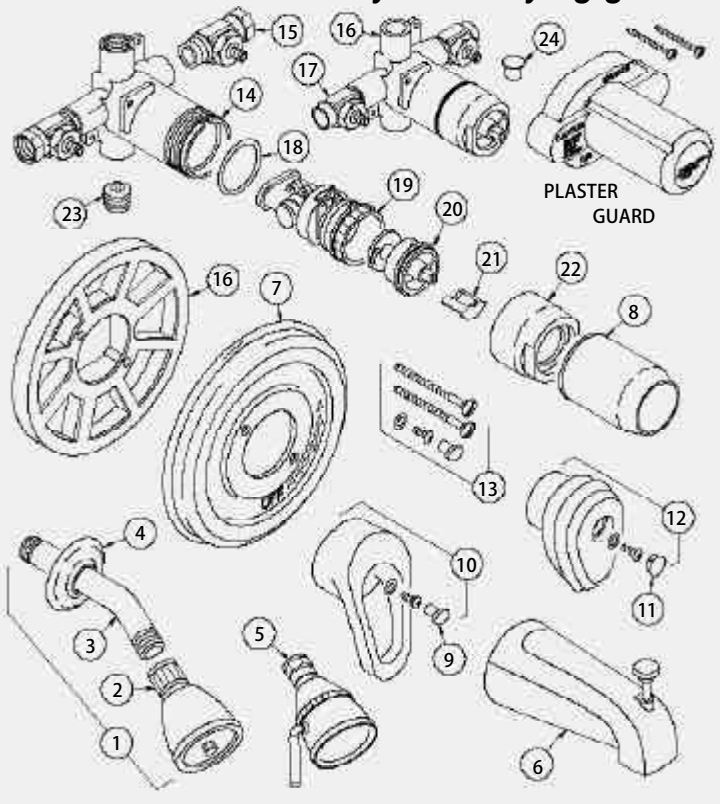
5. Mount valve body per rough-in or thin wall application. Attach water supply lines and outlet lines. Attach plaster guard for grouting tiles or other forms of interior finishing.

6. Install the trim and hardware. Flush the piping system for one minute. Attach the spout and showerhead.



The Anatomy of Your GERBER Product

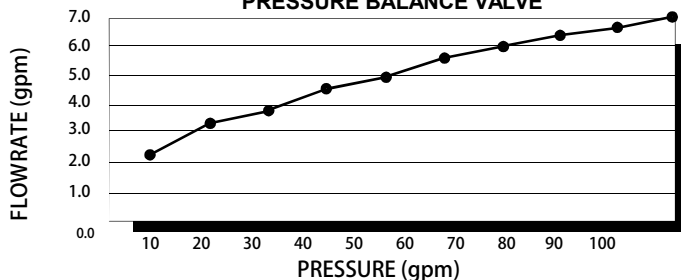
Be sure that you're buying genuine GERBER replacement parts!



ID#	Description	Chrome
1	Shower Assy.	Not Sold
2	Shower Head	49-199
3	Shower Arm	49-111-G
4	Flange	92-021
5	Delux Showerhead	Not Sold
6	Slip Spout	98-241
	Spout w/IPS	92-573
7	Safetemp Escutcheon	97-018
8	Trim Sleeve	92-330
9	Loop Hndl. Botton	92-276
10	Safetemp Handle	97-020
11	Hrdwtr. Hndl. Button	94-211
12	Hrdwtr. Handle Assy.	Not Sold
13	Screw Package	97-016

ID#	Description	Unfinished
14	Cast Body w/IPS Connections	Not Sold
15	1/2" MIPSx1/2" FIPS	Not Sold
16	Cast Body w/Solder Connections	Not Sold
17	1/2" Cx1/2" C Stop / Solder	Not Sold
18	O-Ring	92-257
19	Pressure Balance Cartridge S/A	97-014
20	Pressure Balance Stem & Bonnet S/A	97-022
21	Safetemp Temperature Limit	92-294
22	Bonnet for Pressure Balance Shower	92-329
23	1/2" NPT Plug	97-302
24	Plug for Solder Connection	97-333

GERBER SAFETEMP & HARDWATER PRESSURE BALANCE VALVE



CAUTION:

Do not use scouring pads, acid-based chemicals, or abrasive cleaners to clean your faucet! This will cause damage to the plated or painted finishes!

Thank you for buying GERBER products!

Adjusting the Limit Stop:

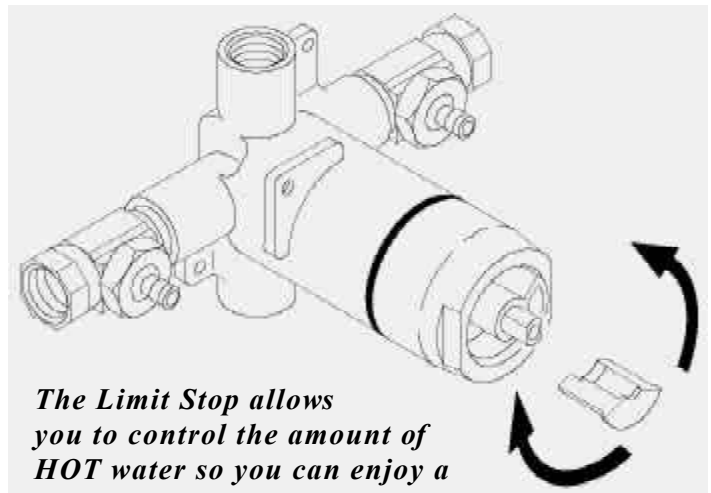
There is a factory temperature preset which can be changed by removing the LIMIT STOP. See the exploded assembly for identification.

Do not exceed 120° Fahrenheit! Local Plumbing Code will specify the maximum temperature settings for the LIMIT STOP.

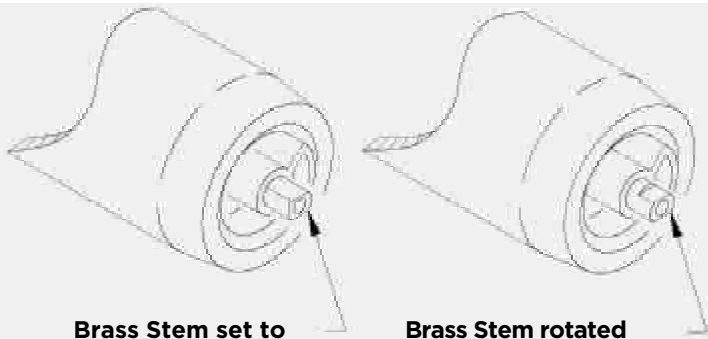
1. Pull out the TEMPERATURE LIMIT STOP.
2. Rotate the limiter Counter-Clockwise for COLD and Clockwise for HOT.

You may have to Seasonally adjust your limit stop.

. Due to seasonal climate temperature changes you may have to make minor adjustments to the limit stop. During the summer months readjust it for a cooler setting and in winter for a warmer setting.



The Limit Stop allows you to control the amount of HOT water so you can enjoy a consistently safe water temperature.



Brass Stem set to standard water inlet configuration: cold on right and hot on left

Brass Stem rotated 180° for non-standard water inlet configuration: cold on left and hot on right

Back-to-Back Installation or HOT and COLD water supply inlets reversed

1. Remove the handle.
2. Rotate the brass stem 180° so that the short flat side is UP.
3. Reassemble the handle.
4. Check the water temperature and reset the limit stop if required.

LIMITED LIFETIME WARRANTY - CARTRIDGES

GPF warrants that the ceramic disc cartridge (the valve control of the faucet) will not leak or drip for as long as it is owned by the original purchaser. If the ceramic disc cartridge malfunctions or proves defective upon inspection by GPF after the valve has been returned, then GPF will repair or replace such part, at GPF's option, free of charge.

GPF warrants that the washerless or compression type cartridge (the valve control of the faucet) will not leak or drip for a period of ten (10) years from the date of original purchase, as shown on the original consumer-purchaser's receipt. If the washerless or compression type cartridge malfunctions or proves defective upon inspection by GPF after the valve has been returned, during the 10-year warranty period, then GPF will repair or replace such part, at GPF's option, free of charge. This Ten (10) Year Limited Warranty only applies to repair or replacement of defective washerless or compression type cartridge.

TWO (2) YEAR LIMITED WARRANTY ON OTHER PARTS

GPF warrants to the original consumer-purchaser of this product that for a period of two (2) years from the date of original purchase, this product will be free from defects in material and workmanship under normal, reasonable use in accordance with product instructions. All mechanical faucets/fittings installed in accepted commercial installations carry a two (2) year limited warranty. All labor, shipping, and freight costs and any other charges incidental to warranty and service are to be borne by the original consumer-purchaser.

As the exclusive remedy for any breach of the above warranties, GPF agrees, at GPF's option, to repair or replace this product or any part thereof, which proves, upon inspection by GPF after such product is returned, to be defective in material or workmanship. GPF will not be liable for any labor, shipping, freight, or any other costs or charges incurred in connection with removal or replacement of the product or otherwise acting upon the above warranties, or for any costs associated with repair or replacement of any other personal property, building or installation materials. Installation or use of the faucet or valve not in accordance with product instructions, or improper use, abuse or neglect of, or accident to, the faucet or valve, or moving the product from the location of its original installation will void the above warranties.

If the Federal Consumer Product Warranties Act applies to the original purchaser of this product, then any implied warranties which may be applicable under state law, such as any implied warranty of merchantability or any implied warranty of fitness for a particular purpose, are limited with respect to the ceramic disc cartridge to twenty (20) years, washerless or compression type cartridge to ten (10) years and with respect to all other parts to two (2) years.

The above warranties give you specific legal rights, and you may also have other rights which vary from state to state. Certain federal and state laws may limit or disallow disclaimers of incidental or consequential damages and/or limitations on implied warranties.

For Technical service, call 888-648-6466