

Art. 8783U

FIT handshower

- Cylindrical shape
- Anti-limescale membrane
- Anti-backflow
- Water flow restricted to 1.8 GPM

Finishes:

- Matte Gun Metal PVD** 90 P6 8783U
- Matte British Gold PVD** 90 P5 8783U
- Deep Black PVD** 90 S1 8783U

Project:

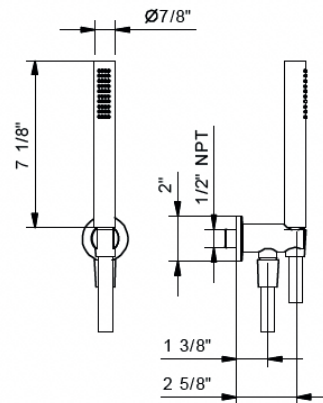
Room:

Date:

Comments:

Handshower

Pressure (bar)	flow rate (l/min)
0,5	4,5
1	8,5
2	9
3	9
4	9



Certifications/Awards:

