

Art. E821BU+R021AU

In-wall non-thermostatic single-control tub mixer

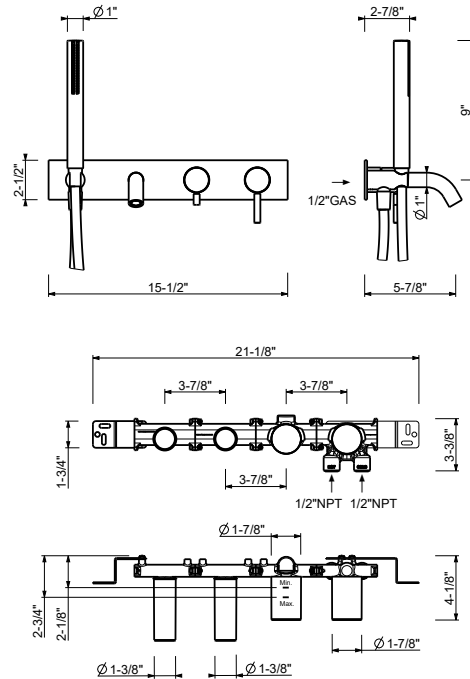
- 7 7/8" spout projection
- 2-way diverter with turning knob
- Cylindrical handshower with anti-siphon check valve
- Water plug with shower holder
- 58" vinyl hose
- 1/2" inlets
- Water flow restricted to 1.8 GPM for handshower
- 5.9 GPM @ 60 PSI

Finishes:

- | | | |
|--------------------------|--------------------------------|--------------|
| <input type="checkbox"/> | Chrome | 50 02 E821BU |
| <input type="checkbox"/> | Matte Black | 50 13 E821BU |
| <input type="checkbox"/> | Matte White | 50 29 E821BU |
| <input type="checkbox"/> | Matte Gun Metal PVD | 50 P5 E821BU |
| <input type="checkbox"/> | Matte British Gold PVD | 50 P6 E821BU |
| <input type="checkbox"/> | Pure Brass PVD | 50 Q7 E821BU |
| <input type="checkbox"/> | Raw Metal PVD | 50 Q8 E821BU |
| <input type="checkbox"/> | Deep Black PVD | 50 S1 E821BU |
| <input type="checkbox"/> | Brushed Stainless steel | 50 93 E821BU |

Rough Finishes:

- | | |
|--------------------------|--------------|
| <input type="checkbox"/> | 22 00 R021AU |
|--------------------------|--------------|



Project:

Room:

Date:

Comments:

Certifications/Awards:

