

**Art. R891BU+D391AU**  
**3/4" Volume control**

- For remote installation
- 3/4" NPT inlets and outlets
- Separate outlet for additional volume controls
- Sound insulation foam back
- 15.3 GPM @ 60 PSI

To be used with thermostatic valve (#R700BU+#D300AU)

**Trim**

**Finishes:**

- Chrome** 53 02 R891BU
- Matte Black** 53 13 R891BU
- Nickel PVD** 53 95 R891BU
- Matte Gun Metal PVD** 53 P5 R891BU
- Matte British Gold PVD** 53 P6 R891BU
- Matte Copper PVD** 53 P9 R891BU
- Pure Brass PVD** 53 Q7 R891BU
- Raw Metal PVD** 53 Q8 R891BU

**Rough**

**Finishes:**

- 19 00 D391AU



**Project:**

---



---



---

**Room:**

---



---



---

**Date:**

---



---



---

**Comments:**

---



---



---



---



---



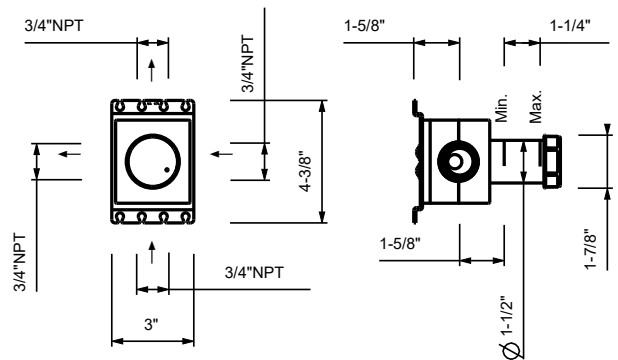
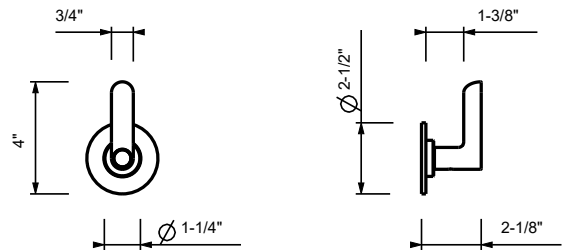
---



---



---



**Certifications/Awards:**

