

**Art. R876BU+D376AU**

**2-Way diverter with integrated volume control**

- For remote installation
- 1/2" NPT inlets and outlets
- With shut-off valve
- Round backplate
- Handle included
- 8.9 GPM @ 60 PSI (primary outlet)
- 7.6 GPM @ 60 PSI (secondary outlet)

To be used with thermostatic valve (#R700BU+#D300AU)

**Trim**

**Finishes:**

- Chrome** 53 02 R876BU
- Matte Black** 53 13 R876BU
- Nickel PVD** 53 95 R876BU
- Matte Gun Metal PVD** 53 P5 R876BU
- Matte British Gold PVD** 53 P6 R876BU
- Matte Copper PVD** 53 P9 R876BU
- Pure Brass PVD** 53 Q7 R876BU
- Raw Metal PVD** 53 Q8 R876BU

**Rough**

**Finishes:**

- 19 00 D376AU



**Project:**

---



---

**Room:**

---



---

**Date:**

---



---

**Comments:**

---



---



---



---



---



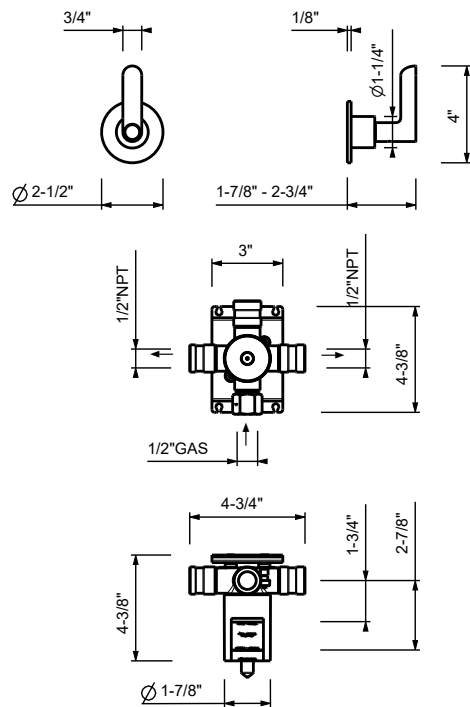
---



---



---



**Certifications/Awards:**

