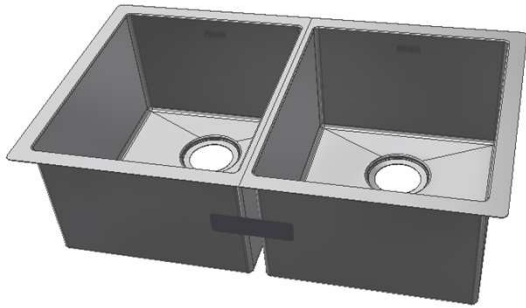


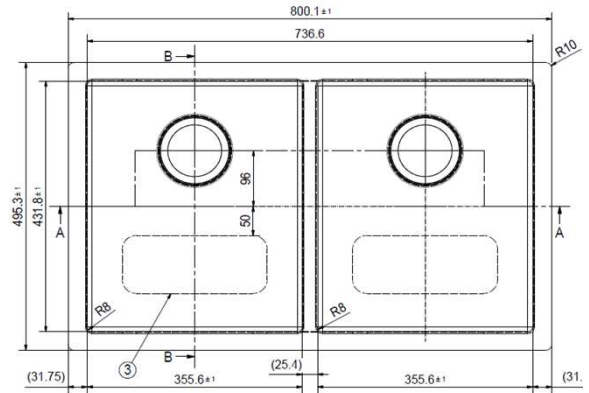
# Spec Sheet

**Stainless Steel**

**PS2X120-14-14**



Drain Covers



### Technical Features / Nominal Dimensions

Overall Sink Size (OD)	31.5 x 19.5"	Bowl Size (ID)	14 x 17 & 14 x 17"
Bowl Depth (ID)	10 & 10"	Cut Out Size	30 x 18
Sound pads	Yes	Sound Coating	Yes
Minimum Cabinet	36	Drain Measurement	3 1/2"
Installation Type	UNDERMOUNT	Code Approvals	UPC & cUPC
Packed Weight		Box Dimensions	
Clips	EL CLIPS	Template	Yes
Warranty	Limited Lifetime	Material	16 GAUGE T304SS

### Accessories Included

RND-CVR (Round Drain Cover)

### Available Accessories

Grid	PS2-14-36s
Colander	PS2-70S
Cutting Board	PS2-40S
Roll Matt	RM18S

### FRANKE Kitchen Systems

(800) 626-5771

[www.frankeksd.com](http://www.frankeksd.com)

PS2X120-14-14 Spec Sheet