

ELKAY® SPECIFICATIONS

Single-Level Mounting Frame Model MF100

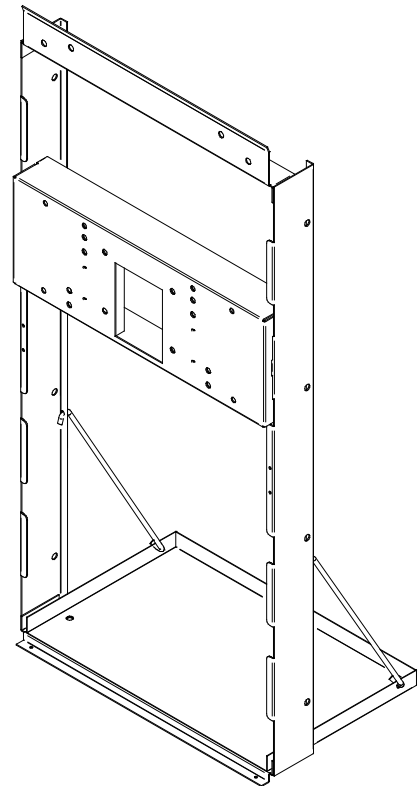
GENERAL

MF100 Mounting Frame for use with Soft Sides® and SwirlFlo® single-level water coolers.

MF100 Mounting Frame is included with ENOB, ERF, ERO, ERPB, LNFE and LRPB models.

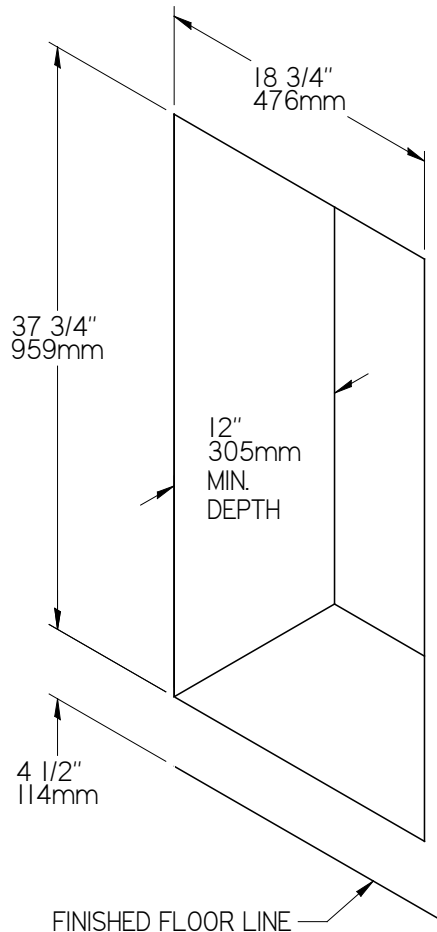
CONSTRUCTION

16 gauge galvanized steel.



MF100 One-Level Mounting Frame Shown

WALL OPENING

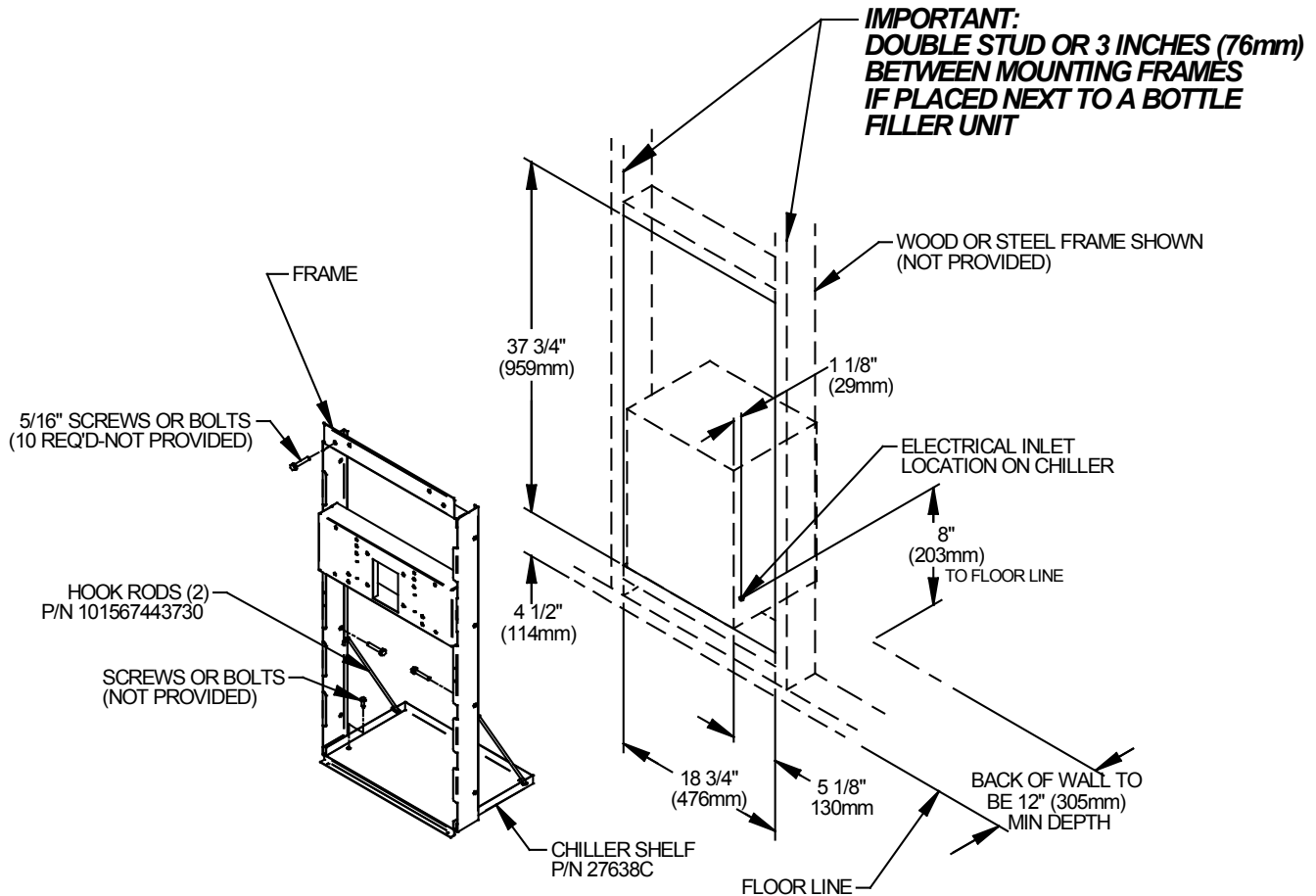


In keeping with our policy of continuing product improvement, Elkay reserves the right to change specification without notice. Please visit elkay.com for the most current version.

This specification describes an Elkay product with design, quality and functional benefits to the user. When making a comparison of other producers' offerings, be certain these features are not overlooked.

Single-Level Mounting Frame Model MF100

ELKAY® ROUGH-IN DIMENSIONS



MF100 MOUNTING FRAME INSTRUCTIONS

1. **Cut a square rectangular wall opening** 18-3/4" (476mm) W x 37-3/4" (959mm) H and 4-1/2" (114mm) above the floor line. These dimensions are required to obtain proper rim and bubbler heights for compliance with ANSI standard A117.1.
 2. **Reinforce the wall opening** on all sides so that it will adequately support the water fountain. This reinforcement must support up to 150 lbs static load and provide a means for securing the frame assembly in place.
- NOTE:** Building construction must allow for adequate air flow on both sides and top of remote chiller unit. Minimum of 4" (102mm) is required.
3. **Install plumbing and electrical rough-ins.** A junction box for a (3) wire, 10 amp branch circuit is provided on the inside of the chiller. (Standard 120 Volts, 60 Hz and single phase)

NOTE: Reference Specification Sheet for water cooler model to be installed for exact waste and supply locations.

4. **Remove frame and related hardware** from packaging. Release the two shelf rods by cutting cable ties. Install the frame squarely in wall opening with frame upright edges **flush with the finished wall face**. Place shelf inside frame and line up the (2) holes on each. Insert loose ends of rods into holes on sides of shelf panel. Using appropriately sized screws or bolts (not provided), fasten the shelf and frame to bottom of wall opening. Secure the frame sides and top to the wall using (10) 5/16" bolts or screws (not provided).

NOTE: Be sure that frame is squared in location. Do not use less than the required screw quantity and size.