



DXV BELSHIRE™

PERSONAL HAND SHOWER WITH ADJUSTABLE WALL MOUNTED BAR



- 5 ft. (1.5 m) decorative metal hose
- Includes single function hand shower
- Wall elbow
- 30" adjustable slide bar with bracket, includes metal hose
- Maximum hand shower flow rate: 1.8 gpm (6.8 L/min)
- Includes double check valves

CODES AND STANDARDS

Meets or Exceeds ASME A112.18.1/CSA B125.1

CEC and CALGreen® Compliant

DESCRIPTION

Personal Hand Shower
with Adjustable Wall
Mounted Bar

PRODUCT NUMBER

D35170780.XXX

AVAILABLE FINISHES

Polished Chrome
Brushed Nickel
Platinum Nickel
Satin Brass

FINISH CODE

100
144
150
427



Polished
Chrome



Brushed
Nickel



Platinum
Nickel



Satin
Brass

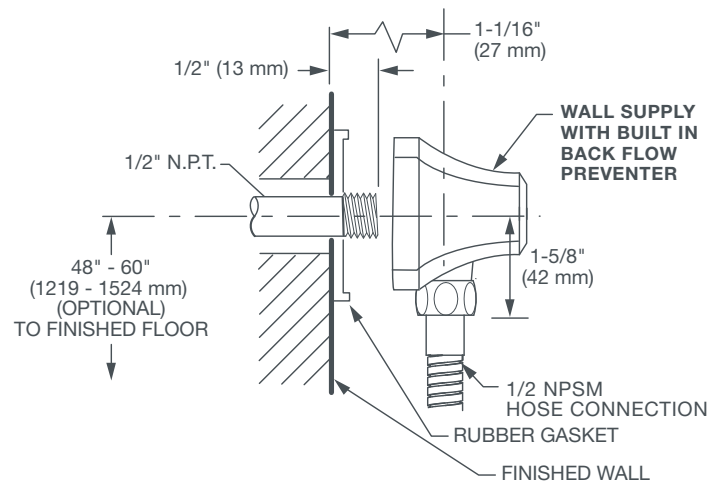
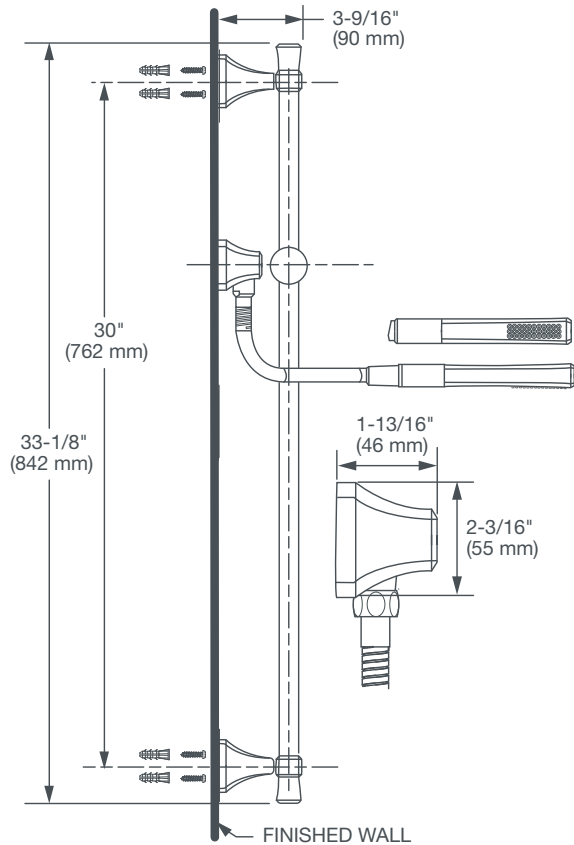
ROUGH-IN DIAGRAM
SHOWN ON NEXT PAGE

CALGreen® is a registered trademark of California Building Standards Commission.



DXV BELSHIRE™

PERSONAL SHOWER SET WITH HAND SHOWER



IMPORTANT: These measurements are subject to change or cancellation. No responsibility is assumed for use of superseded or voided pages.

PART OF **LIXIL**