

WALL ELBOW



- For wall mounted hand showers
- Brass construction

CODES AND STANDARDS

Meets or Exceeds ASME A112.18.1/CSA B125.1

AVAILABLE FINISHES

- Polished Chrome
- Brushed Nickel
- Platinum Nickel

FINISH CODE

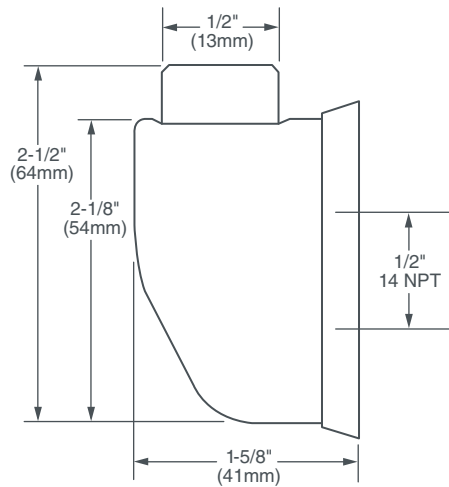
- 100
- 144
- 150

DESCRIPTION

Wall Elbow

PRODUCT NUMBER

D35700035.XXX



IMPORTANT: These measurements are subject to change or cancellation. No responsibility is assumed for use of superseded or voided pages.