



ETRE™

PULL-DOWN BAR FAUCET



- Single hole installation
- Two-function pull-down hand spray
- Swivel spout
- Protected against backflow via two check valves
- Stainless steel flex lines
- Quick installation system
- Ceramic disc valve cartridge
- Lead Free — faucet contains $\leq 0.25\%$ total lead content by weighted volume
- Spout swivels at 360°
- Cover plate must be ordered separately (not available in 249 Matte Black / Satin Brass)
- Maximum flow rate: 1.8 gpm (6.8 L/min)

CODES AND STANDARDS

Meets or Exceeds ASME A112.18.1/ CSA B125.1, NSF 61/Section 9

Certified Compliant with $\leq 0.25\%$ Weighted Average Lead Content Regulations

CEC and CALGreen® Compliant

DESCRIPTION

Pull-Down Bar Faucet

PRODUCT NUMBER

D35404410.XXX

OPTIONAL COMPONENT

Cover Plate
(not available in finish 249)

M964990-XXXOA

AVAILABLE FINISHES

Polished Chrome
Matte Black
Ultra Steel
Satin Brass
Matte Black / Satin Brass

FINISH CODE

100
243
355
427
249



Polished
Chrome



Matte
Black



Ultra
Steel



Satin
Brass



Matte Black
Satin Brass

ROUGH IN DIAGRAM SHOWN
ON NEXT PAGE

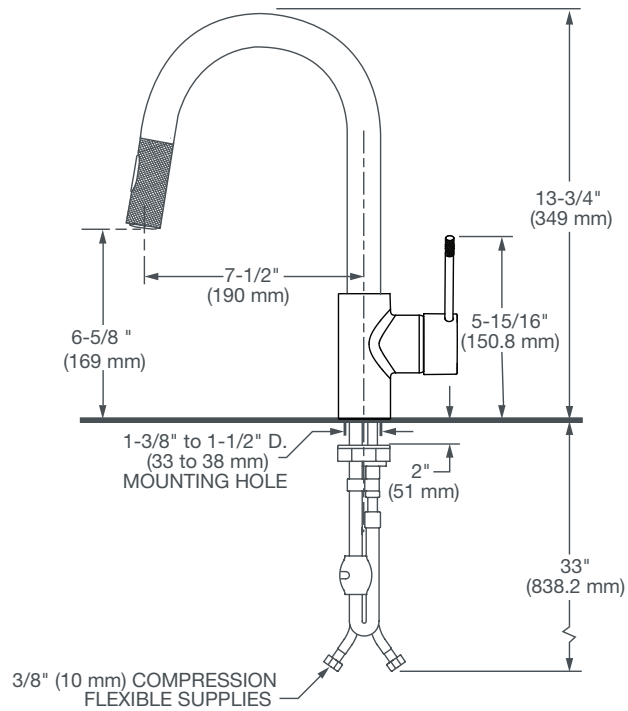
CALGreen® is a registered trademark of California Building Standards Commission.



Meets the Americans with Disabilities Act Guidelines and ANSI A117.1 Requirements for the physically challenged.



ETRE™ PULL-DOWN BAR FAUCET



IMPORTANT: These measurements are subject to change or cancellation. No responsibility is assumed for use of superseded or voided pages.

PART OF LIXIL