



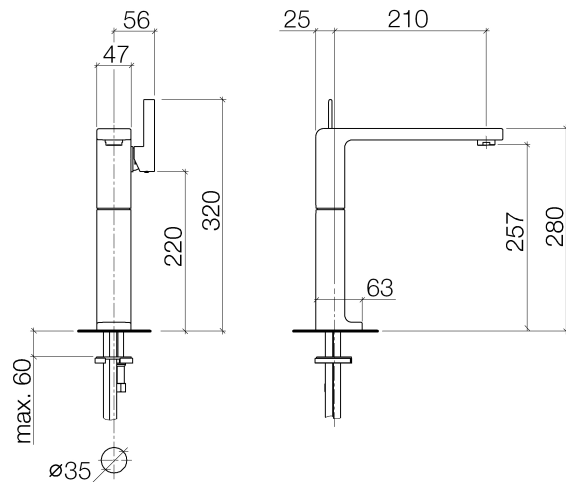
**Product specifications**

**• 8-1/4" Projection**

- Fixed spout
- Round aerated stream
- Total height 11"
- Height to aerator/spout outlet 10-1/8"
- 1-3/8" hole diameter
- 2x 10 mm flexible supply lines including 3/8" US adapters
- Water flow rate limited to max. 1.2 gpm
- low lead compliant

**(ADA)**

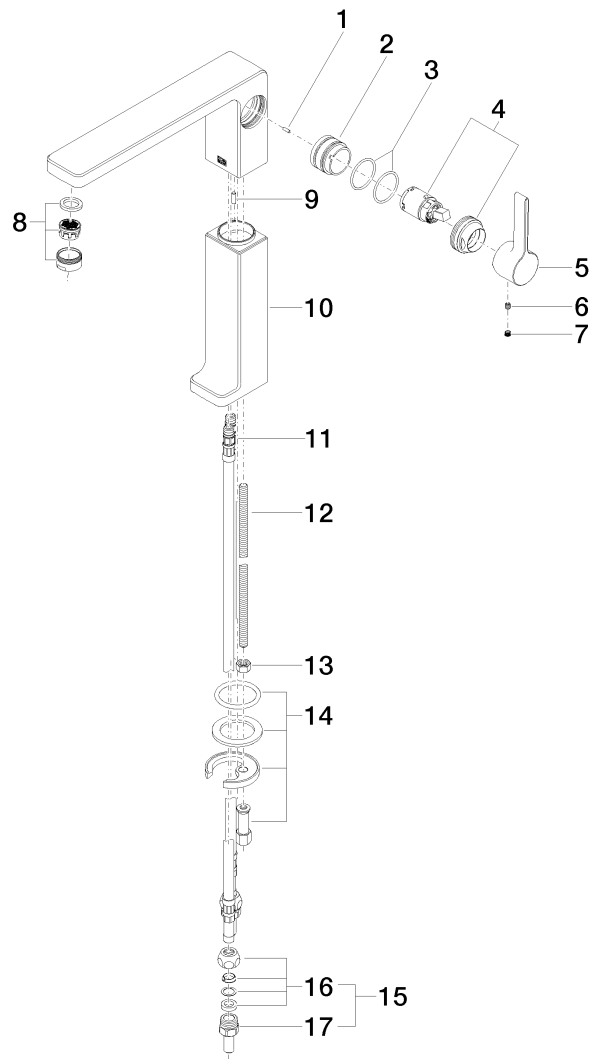
**For combination with vessel sinks.**



**Surfaces**

- chrome 33534710-000010
- matt platinum 33534710-060010

**Exploded assembly drawing**



**Order quantity**

<b>No.</b>	<b>Article number</b>	<b>Name</b>	<b>Installation quantity</b>
1	09311111190	pin	1
2	0918400951090	sleeve	1
3	09141013790	seal	2
4	90150504100ff	cartridge	1
5	092071040ff	handle	1
6	09311103090	pin	1
7	09312010990	plug	1
8	90230111804ff	aerator	1
9	09311104090	pin	1
10	091971029ff	casing	1
11	0430040170090	hose	2
12	09311109590	pin	1
13	09231002390	nut	1
14	0430110387590	fixing set	1
15	04240422200ff	adaptor	1
16	04233003101-07	threaded connector	2
17	09240422210ff	adaptor	2



**Flow rate chart**

