

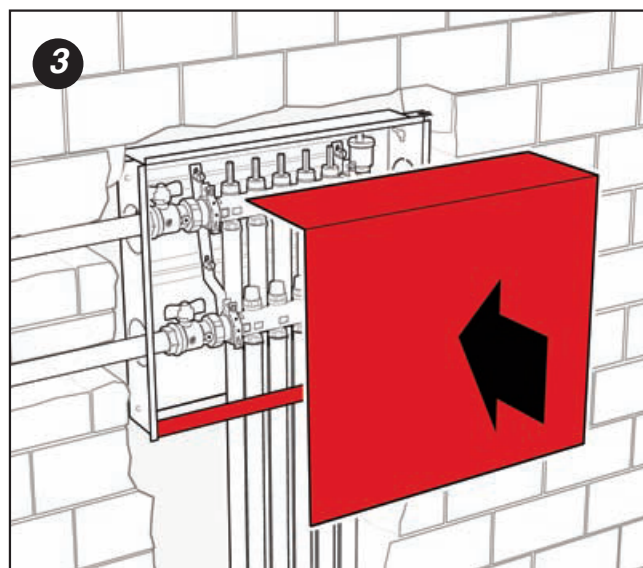
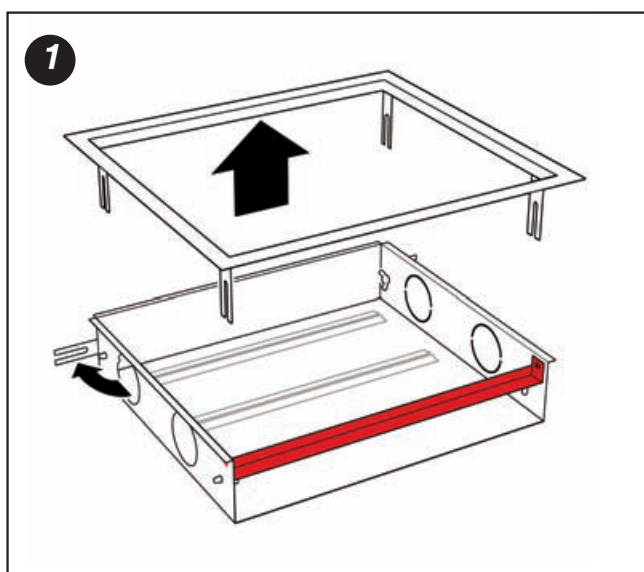
Box for manifold systems

code 659..4

Assembly instructions:

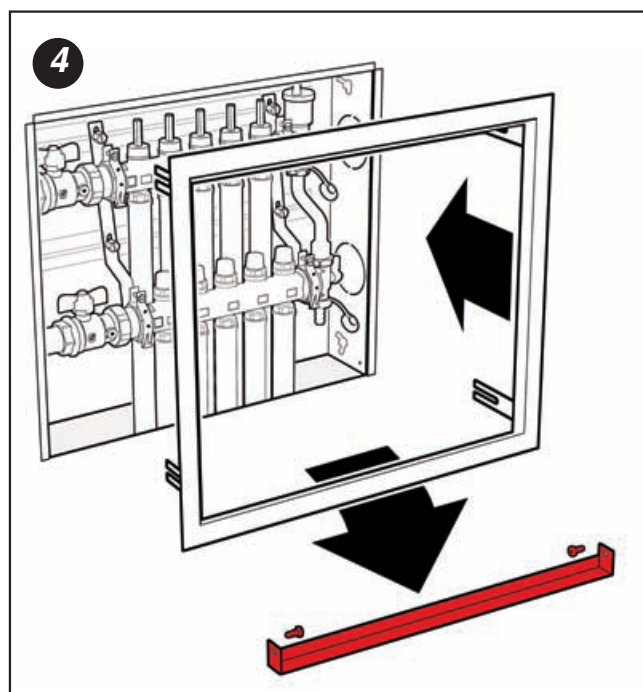
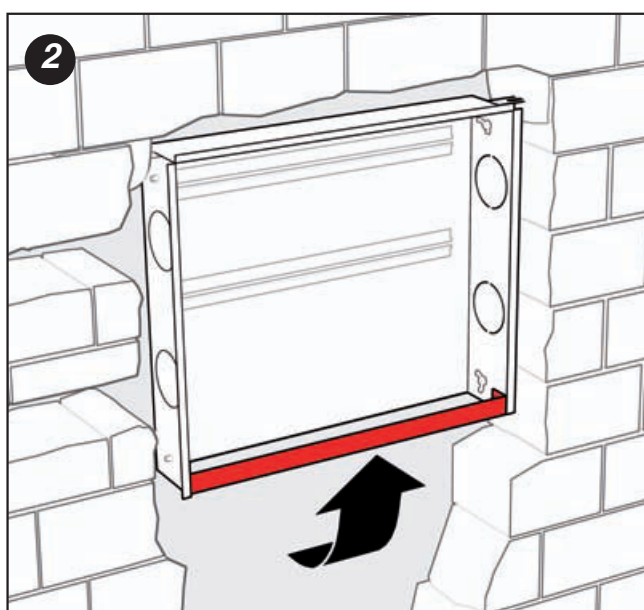
Remove the cover, remove the two mounting brackets positioned at the top of the box on the outside, unscrew the four butterfly screws inside the box so that the false frame can be removed as well. At this stage the galvanized bar must remain in its housing; this bar prevents the box walls from being crushed while also limiting the amount of mortar, as too much mortar would affect the positioning of the door.

After assembling the manifolds in the box, use the supplied cardboard sheet to protect the box when completing the walling in. To use the sheet, rest the "L" fold on the top of the box, with the other end resting on the edge of the galvanized bar.



Rotate the galvanized bar so that it matches the surface of the outside walls as shown.

After removing the cardboard sheet and galvanized bar, refit the false frame by screwing in the four butterfly screws inside the box and then replace the cover.



NB: The parts in red are used during fitting and finishing and then discarded.