



Heatguard® 110-D Series—Lead Free

DESCRIPTION

The **Heatguard® 110-D** is a Temperature Actuated Mixing Valve that mixes hot water with cold to deliver tempered water at a controlled temperature to 120°F (49°C) maximum. The **Heatguard® 110-D** is designed to assist in the prevention of scalding.

The **Heatguard® 110-D** is intended for installation at the water heater to distribute controlled temperature water through the domestic hot water system or at point-of-use applications. The valve delivers water at a maximum of 120°F (49°C), allowing the heater to be set at 140°F (60°C) or higher, thus providing a greater effective volume of hot water and reducing the chances of Legionella bacteria growth in the water.

The **Heatguard® 110-D** is a high quality mixing valve incorporating the latest in Thermostatic Technology. It features a robust design based on the expertise gained from years of experience in the design and manufacture of safety valves. Every valve is tested for performance on an automated testing station during the assembly process. The valve is third party listed for both distribution and point-of-use applications.

The **Heatguard® 110-D** incorporates a fast acting, high quality thermostatic element that senses the outlet water temperature and reacts to maintain a stable delivery temperature even under changing flows or variations in supply temperatures. The valve also greatly reduces the outlet flow in the event of a cold water supply failure.

The **Heatguard® 110-D** features a locking mechanism to prevent unwanted adjustment above 120°F (49°C).

The **Heatguard® 110-D** is shipped complete as a kit with your choice of end connections in 1/2", 3/4" & 1" sizes. Available end connections are sweat, CPVC, PEX, threaded and SharkBite®. All valves are supplied standard with check valves.



HEATGUARD®
THERMOSTATIC MIXING VALVES

FEATURES AND BENEFITS

Certified for distribution and point-of-use applications.

Safer hot water from all outlets.

Allows the water heater to be set at 140°F (60°C) or higher:

Greater effective hot water volume yields less chance of Legionella within the cylinder.

Every valve is tested for performance prior to shipping:

Specify and install with confidence!

Robust, low complexity construction:

Superior reliability, improved user safety.

Adjustable and lockable mechanism:

*Minimizes unauthorized tampering with valve setting
Factory set, locked to maximum 120°F (49°C)*

Listed by IAPMO, CSA, and ASSE:

Inspector friendly, peace of mind!

TRIPLE LISTED!

ASSE 1017,
ASSE 1069,
ASSE 1070.

SPECIFICATION

A Temperature Actuated Mixing Valve shall be installed at single or multiple point-of-use fixtures or at the water heater to distribute tempered water throughout the domestic hot water system at a maximum temperature of 120°F (49°C). The valve shall be certified to ASSE 1017, ASSE 1069, ASSE 1070 and CSA B 125.3 standards and shall be listed by a third party. The Temperature Actuated Mixing Valve shall control the delivered water temperature via a regulating piston made from engineered polymer. The adjusting mechanism shall be protected by a lockable cover. The valve shall be a Cash Acme **Heatguard® 110-D LF**.

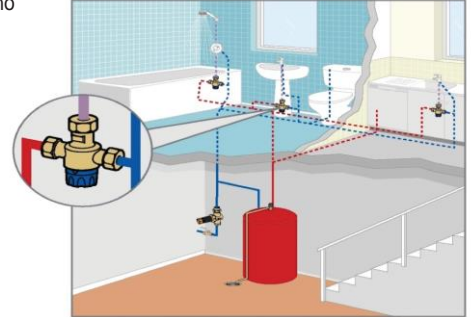
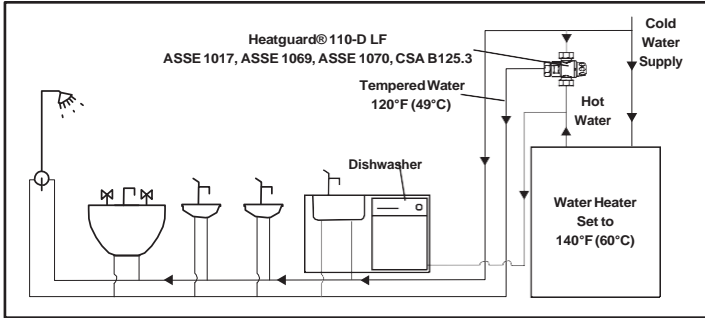




Heatguard® 110-D Series—Lead Free

TYPICAL INSTALLATION

Domestic hot water distribution. To control water temperature at the source of heat (water heater) or individual/multiple point-of-use fixtures (sinks, lavatories, or bath tubs) to provide a safe distribution temperature. It can also be installed at gang shower applications where the bather has no access to the temperature adjustment means.



Valve Location – Single Fixture

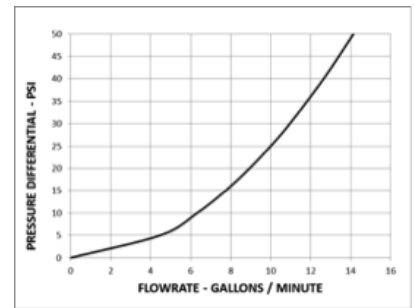
SPECIFICATION DATA

Performance:

| | |
|--------------------------|-----------------------------|
| Outlet temperature range | 85 – 130°F (29 – 54°C) |
| Factory set and locked | 120°F (49°C) |
| Temp. hot supply | 120 – 180°F (48.9 – 82.2°C) |
| Temp. cold supply | 39 – 80°F (3.9 – 26.7°C) |
| Maximum pressure | 230 psi (1600 kPa) |
| Flow rate, minimum | 1 gpm (3.8 l/min) |
| Flow rate, maximum | 20 gpm (76 l/min) |

Materials:

| | |
|--------------|--------------------|
| Body | Bronze |
| Seals | EPDM |
| Springs | Stainless Steel |
| Internal cap | Brass |
| Piston | Engineered Polymer |
| Guide tube | Noryl GFN2 |



Note: Flow rate determined on a Heatguard® 110-D LF with ½" sweat fittings

AVAILABLE CONNECTIONS

| | |
|----------------|-------------------|
| Sweat | 1/2", 3/4" and 1" |
| Barb (PEX) | 1/2" and 3/4" |
| Threaded (NPT) | 1/2" and 3/4" |
| CPVC | 1/2" and 3/4" |
| SharkBite | 1/2" and 3/4" |

CERTIFICATIONS

The Cash Acme Heatguard® 110-D LF is certified to ASSE 1017, ASSE 1069, ASSE 1070, CSA B125.3, and NSF 372 and listed by Iapmo, CSA, and ASSE for use in accordance with U.S and Canadian plumbing codes.

TRIPLE LISTED!
ASSE 1017,
ASSE 1069,
ASSE 1070.

