



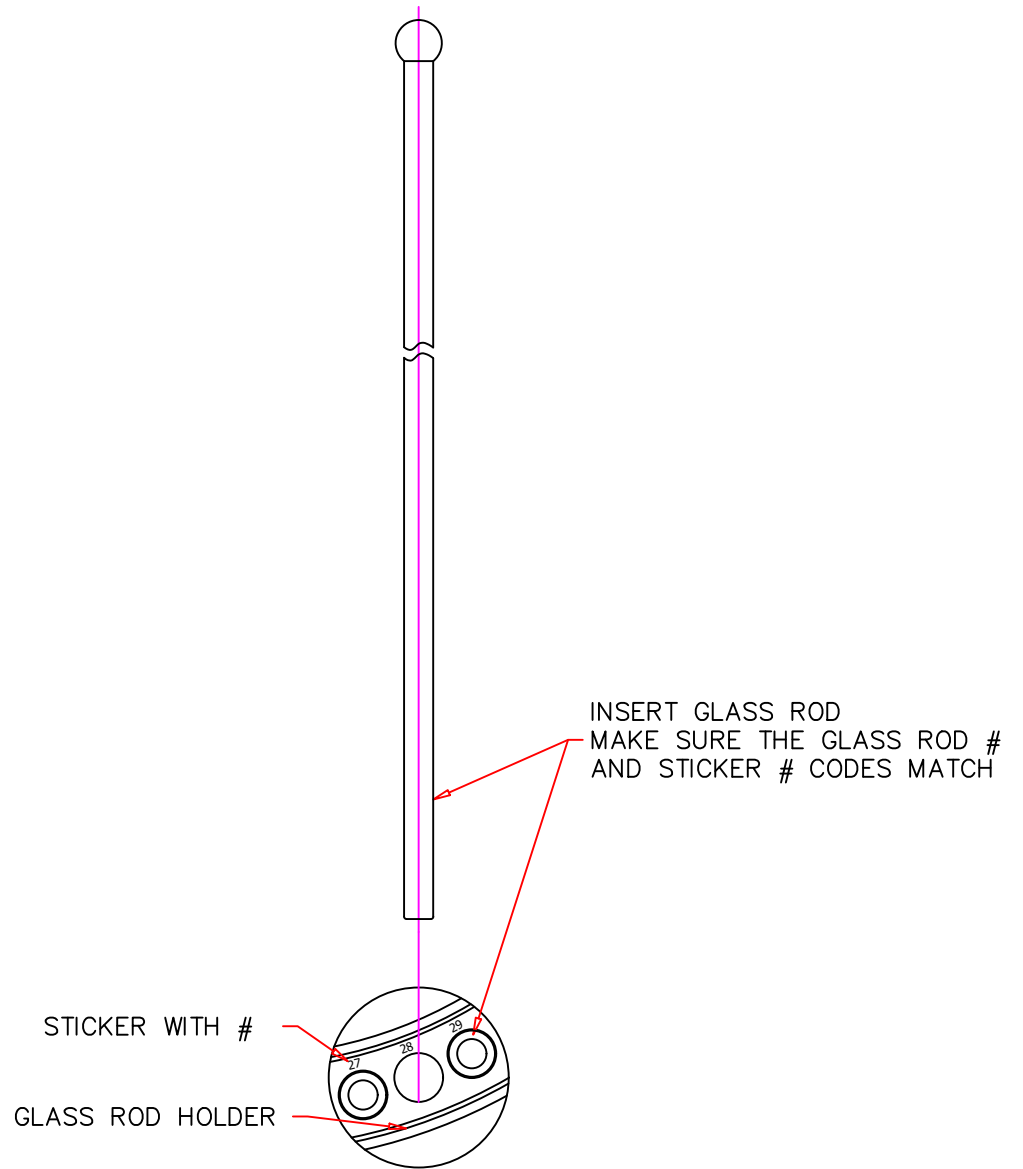


CELESTIAL  
398-38  
INSTALLATION INSTRUCTIONS

**FIXTURE INSTALLATION**

12. Screw the BULB (15) up into the SOCKET of the fixture. **THIS FIXTURE IS RATED FOR 60 WATT LAMP. DO NOT EXCEED THE RECOMMENDED WATTAGE!**
13. Tilt and rotate the GLASS BALL (16) so that the GLASS BALL HOLDER (13) into GLASS BALL (16), hold drop GLASS BALL FITTER (12) against GLASS BALL (16) and secure with the RING (11).
14. Adjust the position of SWIVEL (10) so that the GLASS BALL (16) placed in the GLASS ROD HOLDER (14).
15. Restore power to the outlet at the breaker or fuse box.

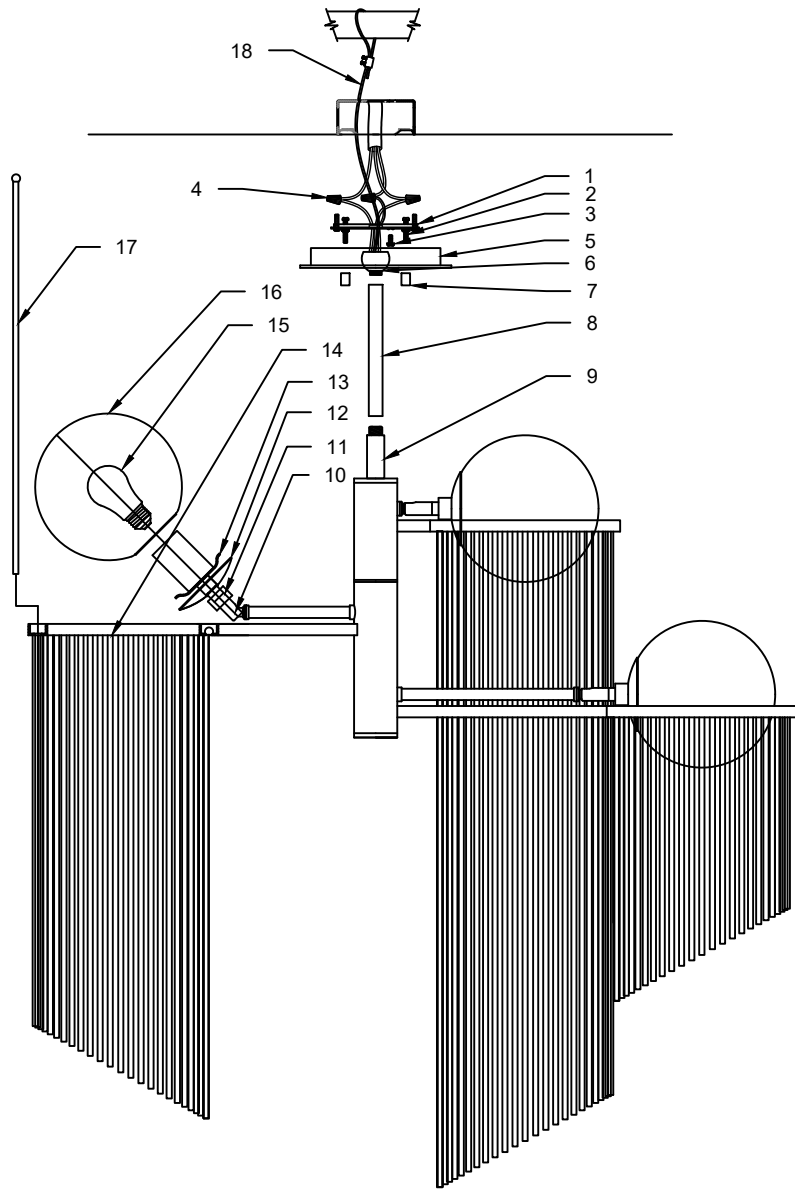
ITEM	DESCRIPTION	PART NUMBER
1	MOUNTING PLATE	HDW-398-38
2	MOUNTING SCREW	HDW-398-38
3	GROUND SCREW	HDW-398-38
4	WIRE NUT	HDW-398-38
5	CANOPY	CPY-398-32
6	SWIVEL	SWL-398-01
7	END NUT	HDW-398-38
8	STEM	STM-398-32-06, 12, 18
9	FIXTURE ASSEMBLY	FAS-398-38
10	SWIVEL	SWL-398-32
11	RING	RNG-398-01
12	GLASS BALL FITTER	FIT-398-01
13	GLASS BALL HOLDER	BLL-398-01
14	GLASS ROD HOLDER	ROD-398-01-H
15	BULB	NOT INCLUDED
16	GLASS BALL	GLS-398-01
17	GLASS ROD	ROD-398-01
18	SAFETY CABLE	CBL-398-38



Reference image 1



CELESTIAL  
398-38  
INSTALLATION INSTRUCTIONS



**⚠ ATTENTION PRUDENCE**

- DÉBRANCHEZ L'ALIMENTATION AVANT DE REMPLIR OU DE CÂBLER LE LUMINAIRE. LISEZ COMPLÈTEMENT TOUTES LES INSTRUCTIONS AVANT DE COMMENCER L'INSTALLATION
- POUR ÉVITER LE RISQUE D'INCENDIE OU D'ÉLECTROCUTION, LE LUMINAIRE DOIT ÊTRE INSTALLÉ CONFORMÉMENT À TOUS LES CODES ÉLECTRIQUES/DE CONSTRUCTION NATIONAUX ET LOCAUX APPLICABLES. L'INSTALLATION ET L'ENTRETIEN DE CET APPAREIL DOIVENT ÊTRE EFFECTUÉS PAR UN ÉLECTRICIEN AGRÉÉ OU UN TECHNICIEN CERTIFIÉ FORMÉ EN USINE.
- CALIFORNIE PROP 65 : CET APPAREIL D'ÉCLAIRAGE CONTIENT DES PRODUITS CHIMIQUES CONNUS PAR L'ÉTAT DE CALIFORNIE POUR PROVOQUER LE CANCER, DES MALADIES CONGÉNITALES ET/OU D'AUTRES DOMMAGES À LA REPRODUCTION. LAVER LES MAINS APRÈS UTILISATION.
- RETIRER LE LUMINAIRE, LES PIÈCES ET LE(S) SAC(S) DE PIÈCES DU CARTON. AVANT DE JETER LE CARTON, VÉRIFIEZ DOUBLE POUR VOUS ASSURER QUE TOUTES LES PIÈCES SONT TROUVÉES. INSPECTER LE LUMINAIRE AVANT L'INSTALLATION POUR TOUT DOMMAGE AU LUMINAIRE.
- GRADATION : LE LUMINAIRE PEUT ÊTRE CONTRÔLÉ PAR UN DISPOSITIF DE GRADATION MURALE. UTILISER UNIQUEMENT UN GRADATEUR TRIAC/ÉLECTRONIQUE. ASSUREZ-VOUS QUE LE CARTON EST MARQUÉ POUR UNE UTILISATION AVEC UNE SOURCE DE LUMIÈRE FLUORESCENTE À INCANDESCENTE COMPACTE UNIQUEMENT. CEUX-CI PEUVENT ÊTRE FOURNIS PAR VOTRE DISTRIBUTEUR ÉLECTRIQUE LOCAL, CENTRE À DOMICILE OU MAGASIN DE QUINCAILLERIE.
- VEUILLEZ NETTOYER UNIQUEMENT AVEC UN CHIFFON DOUX ET SEC ! N'UTILISEZ PAS DE NETTOYANTS

**FIXTURE INSTALLATION**

1. Slide crimp type cable clamp onto the safety cable. Feed the SAFETY CABLE (18) down through one of the holes in the top of the outlet box. Loop the SAFETY CABLE over the approved support. Feed the SAFETY CABLE (18) back through the top of the box and the cable clamp. Using the crimping tool, tightly crimp the cable clamp to lock the SAFETY CABLE (18) in position.
2. Feed the wire through the STEM (8) and twist tightly onto the FIXTURE ASSEMBLY (9). Keep adding additional stems until you desired hanging height is met.
3. Slide in CANOPY(5) onto the STEM (8), and thread the SWIVEL (6) onto the top end of the STEM (8).
4. Pull the wire out from the junction box, and install the MOUNTING PLATE (1) onto the junction box using the MOUNTING SCREWS (2). This fixture is designed to be mounted on standard round or octagon junction box. The junction box must be securely mounted to the structure of the building.
5. Trim off the excess wire to a minimum 6" beyond the STEM and strip each wire  $\frac{5}{8}$ ".
6. Attach the Ground wire (Green) to the ground inside the outlet box (Generally green or bar copper wire) or the GROUND SCREW (4) on the MOUNTING PLATE (1). **NEVER CONNECT GROUND WIRE TO "HOT" WIRE! FAILURE TO FOLLOW THIS COULD RESULT IN SERIOUS INJURY OR DEATH!**
7. Connect the white fixture lead to the neutral (Generally white) wire in the outlet box. Fasten the wires together with an approved fastener ( WIRE NUT) (4). Starting 1" below the fastener, tightly wrap the connection with electrical tape so that the connections seals the end of the fastener. **MAKE SURE THERE ARE NO EXPOSED WIRE OF STRANDS THAT COULD CAUSE A DANGEROUS SHORT CIRCUIT!**
8. Connect the black fixture leads to the hot (Generally black) wire in the outlet box. Fasten the joined wires same as previous step. **NEVER REVERSE HOT AND NEUTRAL WIRES. FAILURE TO FOLLOW THIS COULD RESULT IN SERIOUS INJURY OR DEATH!**
9. Push the wires back into the junction box. Lift up the CANOPY (5) up to the ceiling, and secure with the END NUT (7).
10. Insert the GLASS ROD (17) into the GLASS ROD HOLDER (14). **MAKE SURE THE CODES MATCH. (Reference image 1)**
11. Adjust the orientation of SWIVEL (10) to facilitate the installation of GLASS BALL (16).

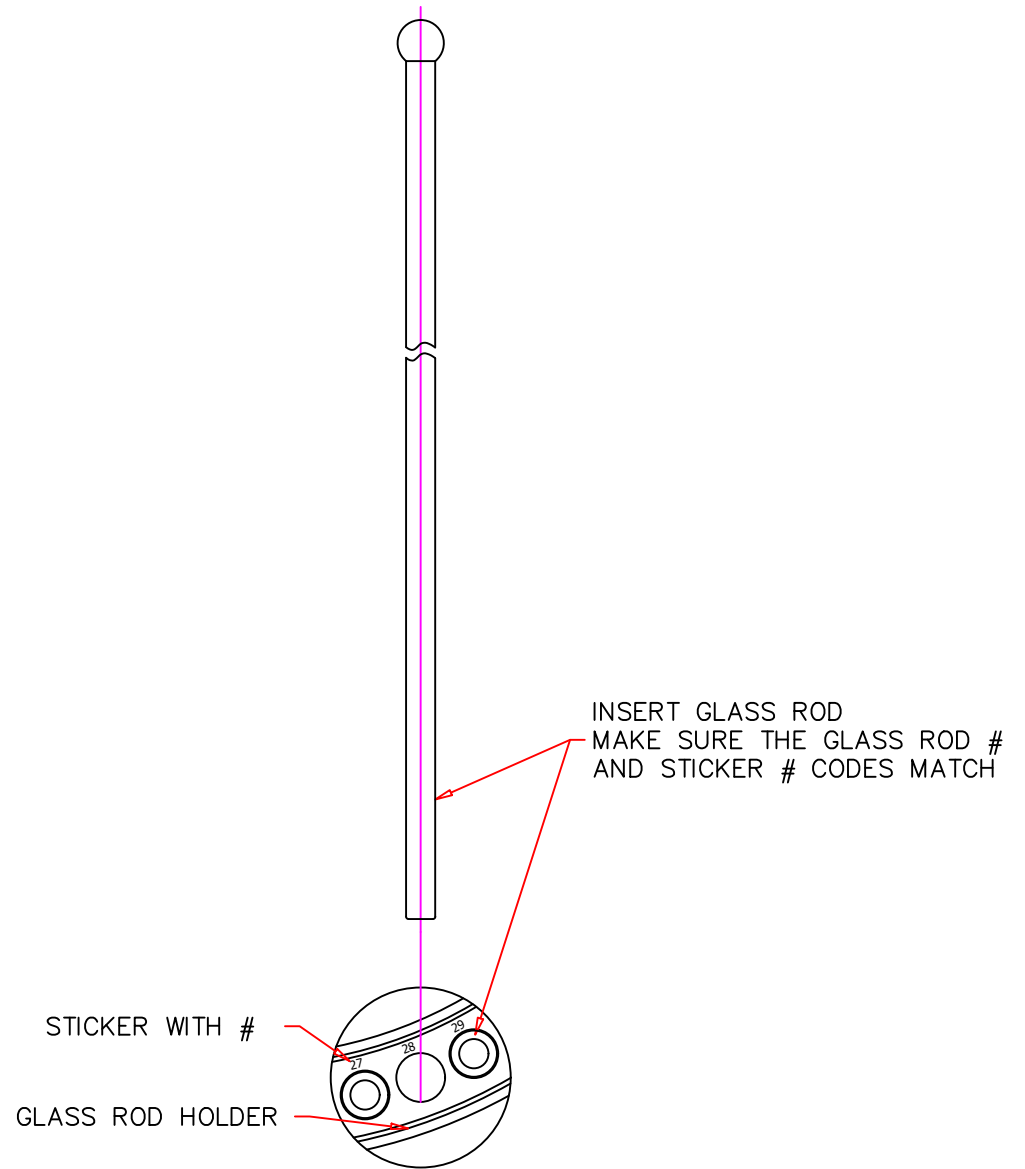


CELESTIAL  
398-38  
INSTALLATION INSTRUCTIONS

**FIXTURE INSTALLATION**

12. Screw the BULB (15) up into the SOCKET of the fixture. **THIS FIXTURE IS RATED FOR 60 WATT LAMP. DO NOT EXCEED THE RECOMMENDED WATTAGE!**
13. Tilt and rotate the GLASS BALL (16) so that the GLASS BALL HOLDER (13) into GLASS BALL (16), hold drop GLASS BALL FITTER (12) against GLASS BALL (16) and secure with the RING (11).
14. Adjust the position of SWIVEL (10) so that the GLASS BALL (16) placed in the GLASS ROD HOLDER (14).
15. Restore power to the outlet at the breaker or fuse box.

ITEM	DESCRIPTION	PART NUMBER
1	MOUNTING PLATE	HDW-398-38
2	MOUNTING SCREW	HDW-398-38
3	GROUND SCREW	HDW-398-38
4	WIRE NUT	HDW-398-38
5	CANOPY	CPY-398-32
6	SWIVEL	SWL-398-32
7	END NUT	HDW-398-38
8	STEM	STM-398-32-06, 12, 18
9	FIXTURE ASSEMBLY	FAS-398-38
10	SWIVEL	SWL-398-01
11	RING	RNG-398-01
12	GLASS BALL FITTER	FIT-398-01
13	GLASS BALL HOLDER	BLL-398-01
14	GLASS ROD HOLDER	ROD-398-01-H
15	BULB	NOT INCLUDED
16	GLASS BALL	GLS-398-01
17	GLASS ROD	ROD-398-01
18	SAFETY CABLE	CBL-398-38



Reference image 1