

California Faucets®

Steampunk Bay™

WALL TUB SPOUT

TS-85-85

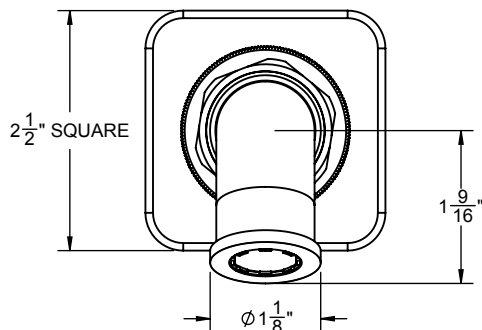
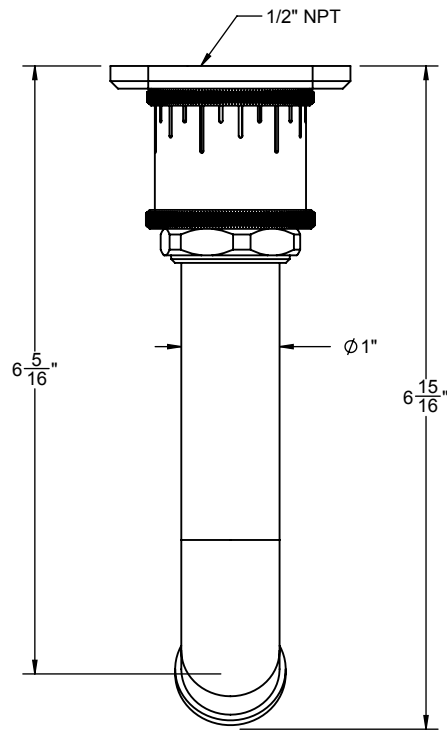
Features

- Max flow rate: 16 gpm (60.6 L/min) at 60 psi
- For use with Style Therm, 3-VR or 2-VR valves
- All brass construction
- Over 30 finishes including 15 PVD finishes



Codes/Standards Applicable

- Product meets or exceeds the following:
- ASME A112.18.1/CSA B125.1



THROUGH HOLE SPECIFICATIONS		
MIN	RECOMMENDED	MAX
SPOUT: $\varnothing 1"$	$\varnothing 1-1/4"$	$\varnothing 1-9/16"$