



### Features

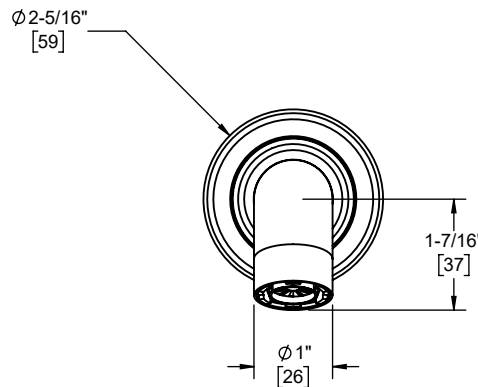
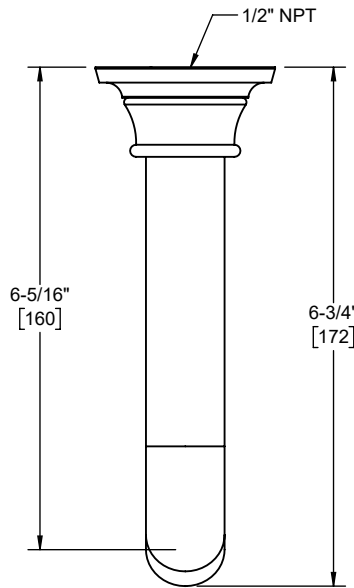
- Over 28 finishes including 13 PVD finishes
- All brass construction
- Max flow rate: 16 gpm (60.6L/m) at 60 psi
- For use with StyleTherm, 3-VR or 2-VR valves



### Codes/Standards

Product meets or exceeds the following:

- ASME A112.18.1/CSA B125.1



Through-Hole Specifications		
Min	Recommended	Max
Ø 1" [25]	Ø 1-1/4" [32]	Ø 1-15/16" [49]

Dimensions are inches, rounded to 1/16"  
[Dimensions in brackets are mm, rounded to 1mm]