



California Faucets®

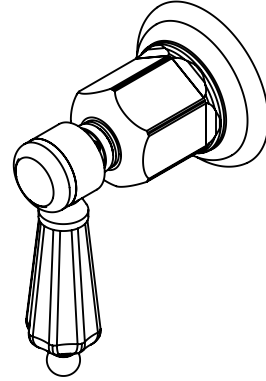
# San Clemente™

## WALL OR DECK HANDLE TRIM ONLY

TO-68-W

### Features

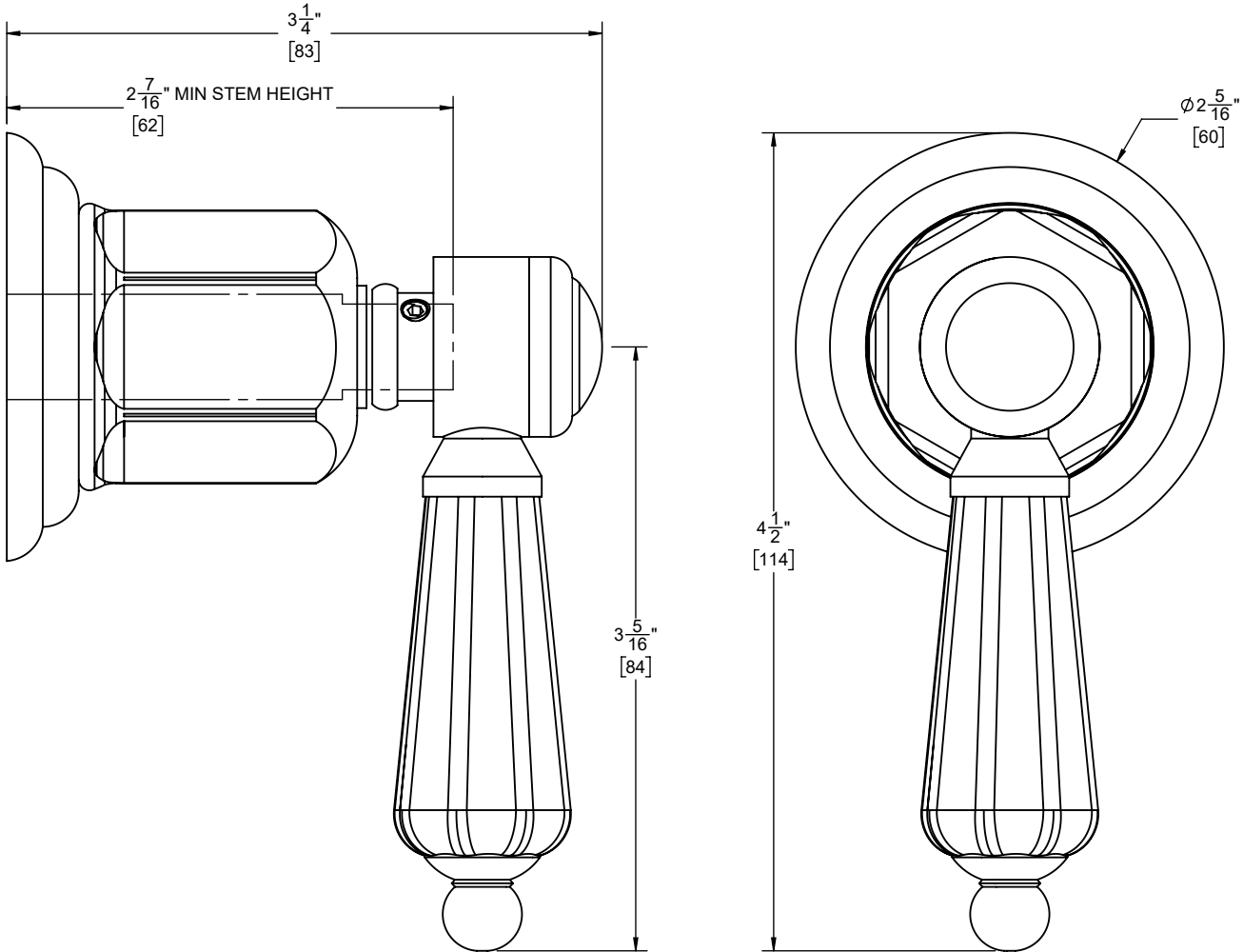
- Available in 28 finishes including 13 PVD finishes
- All brass construction
- Base diameter 2-5/16"
- Use for wall stop, wall diverter or deck diverter
- Rough valve (50-W-R, 75-W-R, WDV-R, DDV-R) sold separately



### Codes/Standards Applicable

Product meets or exceeds the following:

- ASME A112.18.1/CSA B125.1
- ADA compliant



#### THROUGH-HOLE SPECIFICATIONS

MIN	RECOMMENDED	MAX
$\varnothing 1" [25]$	$\varnothing 1\text{-}3/8" [35]$	$\varnothing 1\text{-}1/2" [38]$

DIMENSIONS SHOWN TO NEAREST 1/16"  
[DIMENSIONS SHOWN TO NEAREST 1mm]

SPECIFICATIONS SUBJECT TO CHANGE WITHOUT NOTICE