

Features

- Available in 27 finishes including 12 PVD finishes
- All brass construction
- Max flow rate: 16 gpm (60.6 L/min) at 60 psi
- Comes as complete set with trim and valves

Codes/Standards Applicable

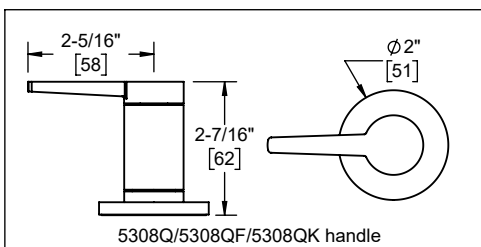
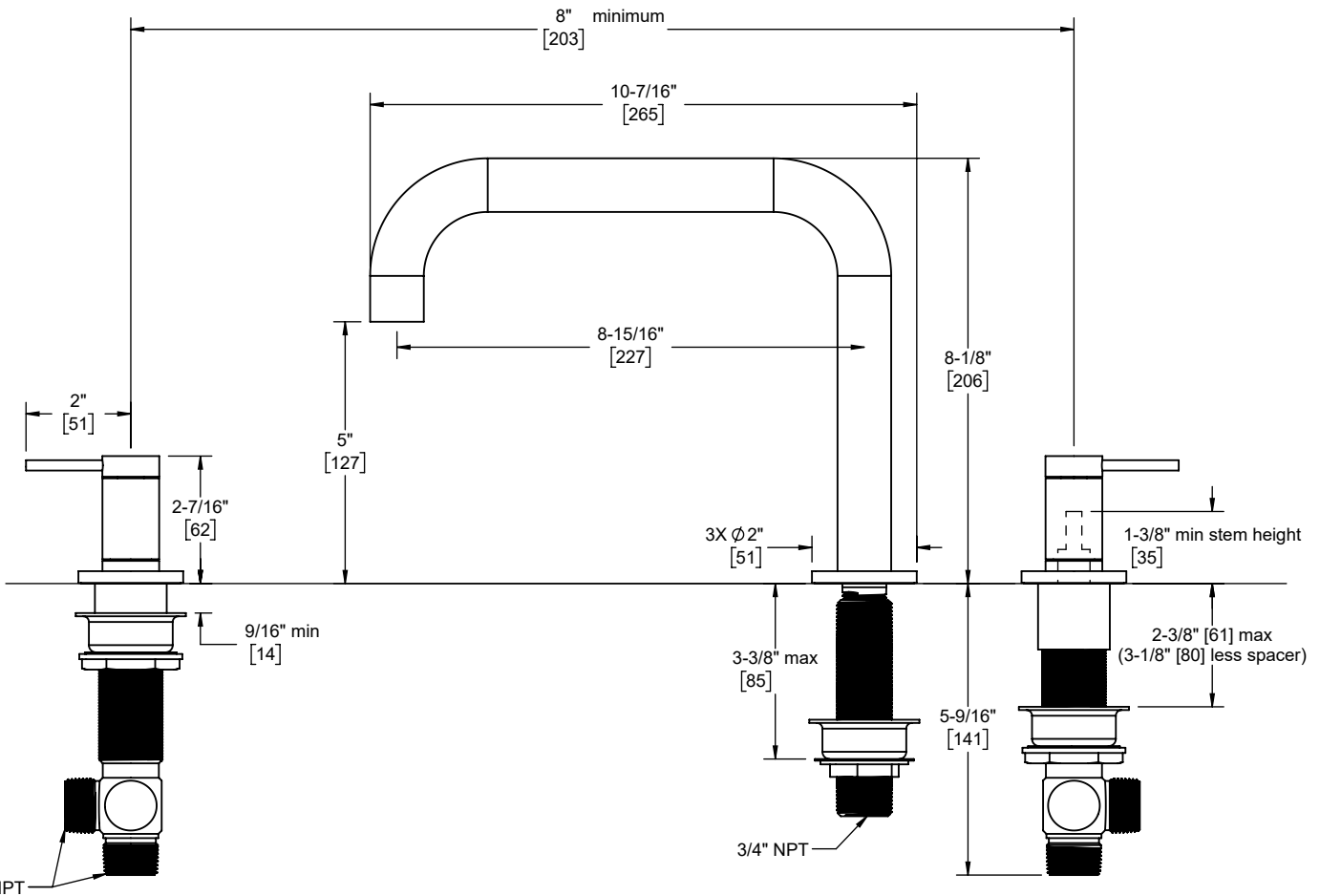
Product meets or exceeds the following:

- ASME A112.18.1/CSA B125.1
- Commonwealth of MA
- ADA compliant
- Installation of upstream tempering device may be required (verify local codes)



5208QF shown

5208Q
 5208QF
 5208QK
 5308Q
 5308QF
 5308QK



Through-Hole Specifications			
	Min	Recommended	Max
Spout:	Ø 1-1/16" [27]	Ø 1-3/8" [35]	Ø 1-1/2" [38]
Valve:	Ø 1-3/8" [35]	Ø 1-1/2" [38]	Ø 1-1/2" [38]