



Tel: 714-891-7797
 Fax: 714-891-2478
 Toll Free: 800-822-8855
 www.calfaucets.com

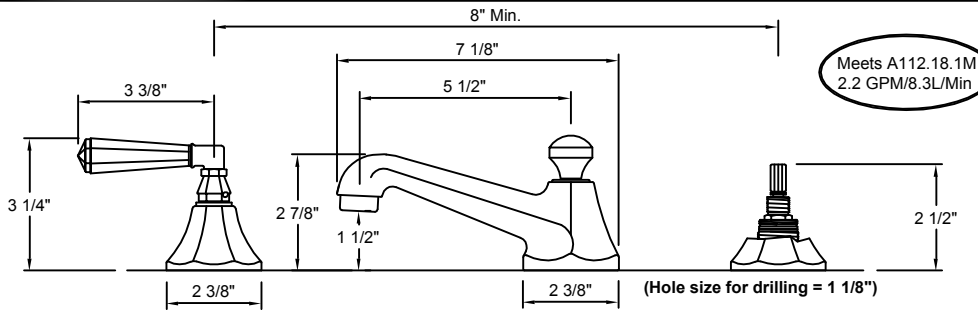
46 Series Specifications

"MONTEREY"

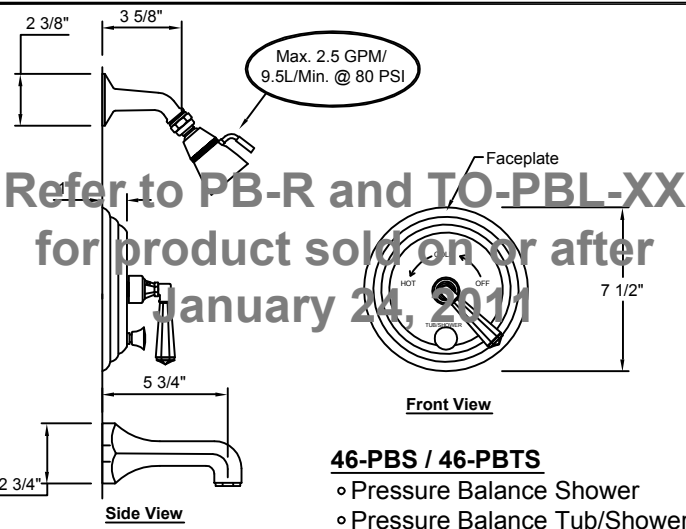


All California Faucets lever and blade handle products are American Disability Act (ADA) compliant.

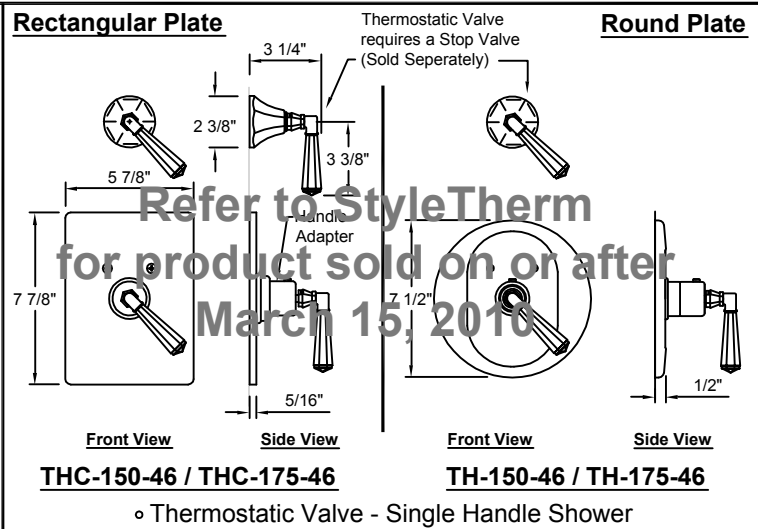
California Faucets reserves the right to make modification and specification changes at any time. Please verify dimensions prior to installation. Visit www.calfaucets.com for most current technical data.



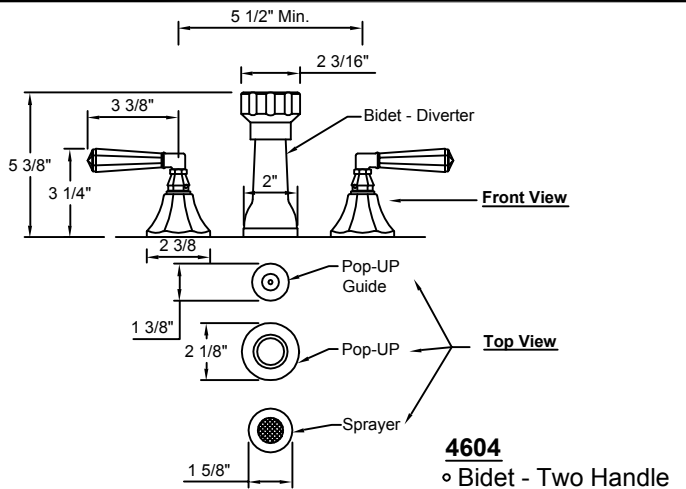
4602
 • Widespread



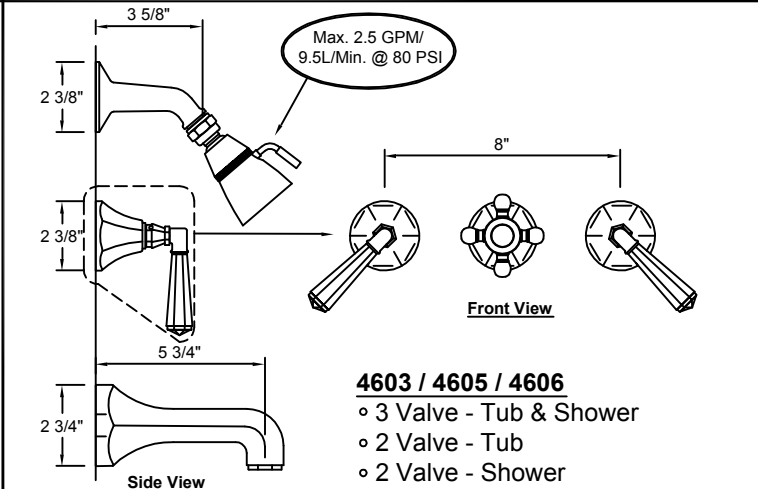
46-PBS / 46-PBTS
 • Pressure Balance Shower
 • Pressure Balance Tub/Shower



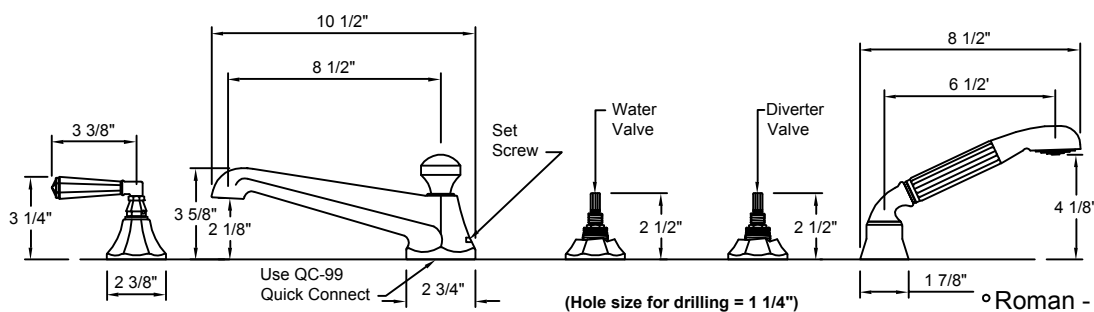
THC-150-46 / THC-175-46
TH-150-46 / TH-175-46
 • Thermostatic Valve - Single Handle Shower



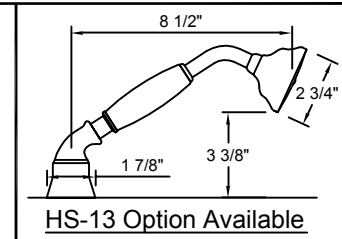
4604
 • Bidet - Two Handle



4603 / 4605 / 4606
 • 3 Valve - Tub & Shower
 • 2 Valve - Tub
 • 2 Valve - Shower



4608 w/ 46.1
 • Roman - w/ Optional Hand Held Shower



HS-13 Option Available