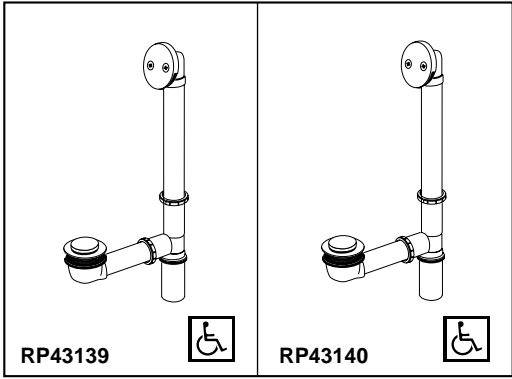


BRIZO®

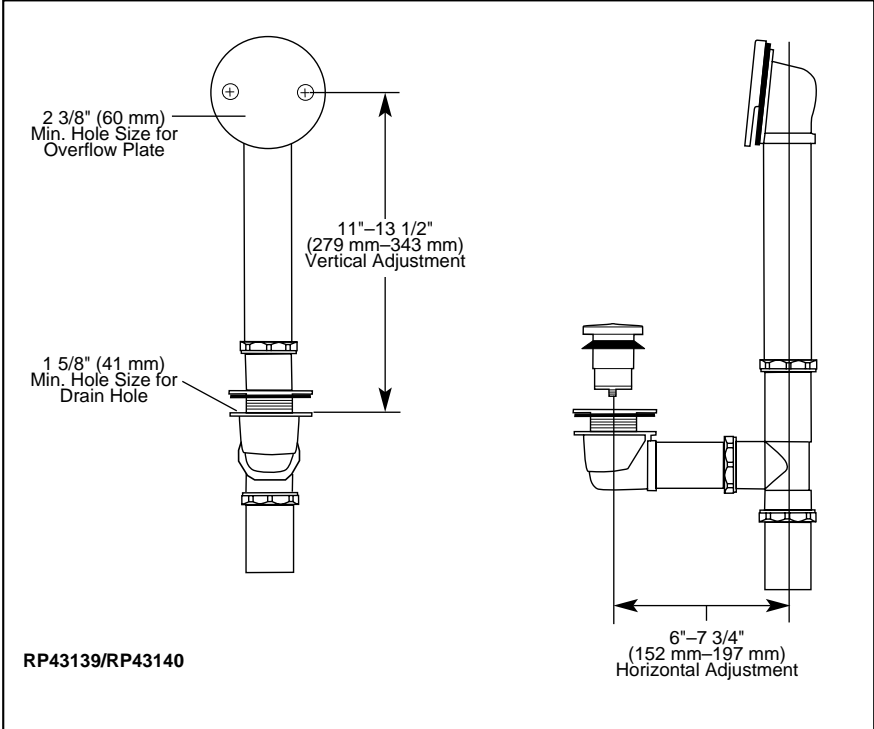
BATH WASTE DRAINS

- Toe-Operated Drain
- 17 Gauge Brass (RP43140 Series)
- 20 Gauge Brass (RP43139)
- 13 1/2" (343 mm) Maximum Vertical Adjustment
- 7 3/4" (197 mm) Maximum Horizontal Adjustment



Submitted Model No.: _____

Specific Features: _____



STANDARD SPECIFICATIONS:

- Plated brass overflow plate.
- Drain mechanism shall be a toe operated device.
- All materials in drain line and built-in portion of fitting shall be resistant to corrosion.
- Brass construction, RP43139 and RP43140 series.
- Slip joints provided in the drain and overflow lines.
- Leakage past stopper when closed shall not exceed one (1) U.S. gallon per hour at a pressure of six-inch water column.
- All moveable parts must be capable of being repaired by being removable from the drain body.
- All exposed external surfaces must be corrosion resistant.

WARRANTY

- Lifetime Faucet and Finish Limited Warranty to the original consumer purchaser to be free from defects in material and workmanship.
- 5 Year Limited Warranty for usage in all industrial, commercial and business applications.

COMPLIES WITH:

- ASME A112.18.2 / CSA B125.2
- Indicates ADA compliance to
- ICC/ANSI A117.1-2003

Delta reserves the right (1) to make changes in specifications and materials, and (2) to change or discontinue models, both without notice or obligation. Dimensions are for reference only. See current full-line price book for finish options and product availability.