



LD-3010 OmniDeck™ – 3000 Series

- Bowl(s) and deck are constructed of Terreon® or Terreon®RE Solid Surface Material
- Decks are pre-fabricated; shipped complete to the job site
- Custom and standard sizes available
- ADA and ANSI compliant
- Coved backsplash and integral front apron eliminate caulk lines
- Integral bowl options create seamless look
- Compatible with Verge™ deck-mounted soap dispensers and faucets

Specifications

The OmniDeck Model LD-3010 can accommodate one or more users. Model LD-3010 OmniDecks feature a Terreon solid surface deck with optional integral oval or rectangular bowl(s). The OmniDeck comes equipped with WashBar Duo WBD1, which includes soap dispenser and faucet in a single piece casting, Verge faucets and deck-mounted soap dispensers, or with drillings for either 4" centerset, 8" centerset, or centershank faucet drillings. Optional aprons, splashes, mounting brackets, and single-station access panel are also available to round out the total package.

Product Compliance

Listed by IAPMO R&T to

- Uniform Plumbing Code (UPC)
- National Plumbing Code of Canada
- International Plumbing Code (IPC)
- IGC 156 and the requirements of CSA B45.5/ IAPMO Z124 and ASME A112.18.1/CSA B125.1



Listed by UL Environment to

- GreenGuard Gold



Complies with

- ADA
- ICC/ANSI 117.1
- TAS
- NSF/ANSI 372

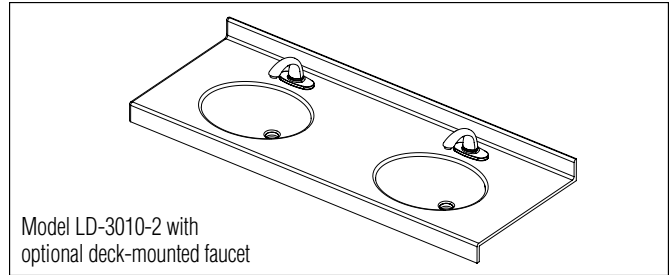


Serves the American Disabilities Act and ICC/ANSI 117.1 guidelines, citations 306, 308, 309.4, 606.4, 606.5 when installed according to these requirements. Consult local codes and standards.

This plumbing fixture is designed for hand washing only. It is not intended to dispense water for human consumption through drinking or for preparation of food or beverages.

Verify all rough-in dimensions prior to installation. Consult local and national codes. Conformity and compliance to local and national codes is the responsibility of the installer.

Page 1 of 9 8/27/2020
This information is subject to change without notice.
Bradley_Sink_OmniDeck_LD-3010



Construction

Deck

Constructed of 1/2" thick Terreon, a densified solid surface material composed of bio-based resin or TerreonRE, a densified solid surface material composed of a bio-based resin and preconsumer recycled granules. Terreon and TerreonRE are resistant to chemicals, stains, burns and impact. Surface damage can be easily repaired with everyday cleansers or fine grit abrasives. Terreon and TerreonRE are GREENGUARD® certified as low-emitting materials.

Mounting Options

OmniDecks are designed for a variety of mounting options which include Terreon carrier sleeves (concealed arm carriers by others), 12 gauge stainless steel mounting brackets (to allow for easy install and future removal of deck), or traditional wall cleating (by others). These mounting options eliminate the need for casework options beneath the deck. Bracket or sleeve quantity is dependent on deck length.

Deck Length	Qty. of Brackets
2" – 45"	2
45.25" – 75"	3
75.25" – 105"	4
105.25" – 120"	5

Seaming

Seaming is required and included as standard for OmniDecks with a total length over 120". When ordering and quoting, Bradley will show a representation of the overall deck length with the segment lengths and recommended seaming locations. Seaming is the process of joining two or more solid surface segments together with an inconspicuous seam. Available from Bradley, adhesive seam kits are required for internal seams and are made to match any Terreon color. Seam kits must be ordered as a separate line item. Visit bradleycorp.com for additional information on seam kits. Optional seaming selections (SEAM-L and SEAM-R) are to be ordered for replacement deck segments.

Faucets

Choose from our 0.35 gpm (1.33 Lpm) or 0.50 gpm (1.90 Lpm) Verge Faucets – Crestt, Metro, Linea, or Zen Series. Available in 0.35 gpm (1.33 Lpm) or 0.5 gpm (1.90 Lpm), WashBar Duo WBD1 includes soap dispenser and faucet in a single piece casting. Also available are 4" centerset and centershank faucet drillings are available for faucets by others.

Soap Dispensers

Choose from our Verge Deck-Mounted Soap Dispensers – Crestt, Metro, Linea, or Zen Series. Also available with WashBar Duo WBD1, foam or liquid soap. WashBar Duo accommodates a 1 gallon cylindrical soap container, provided by others. Soap drillings available for soap by others.

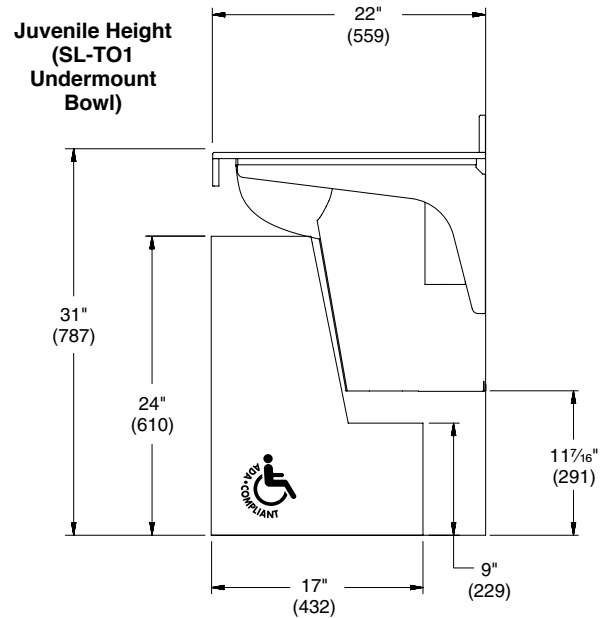
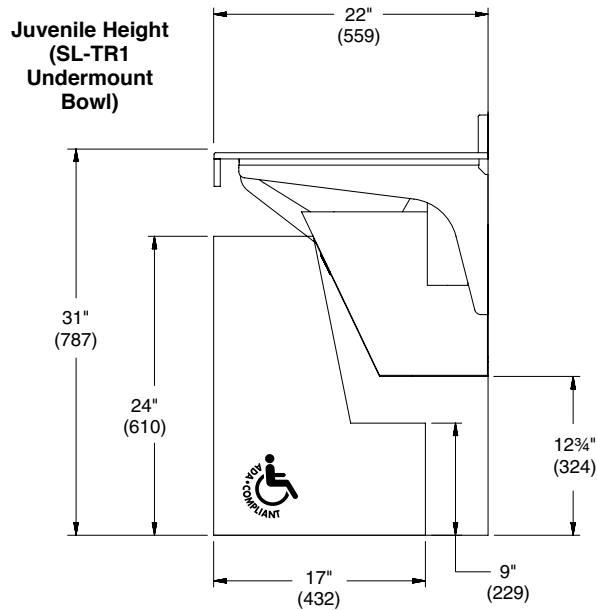
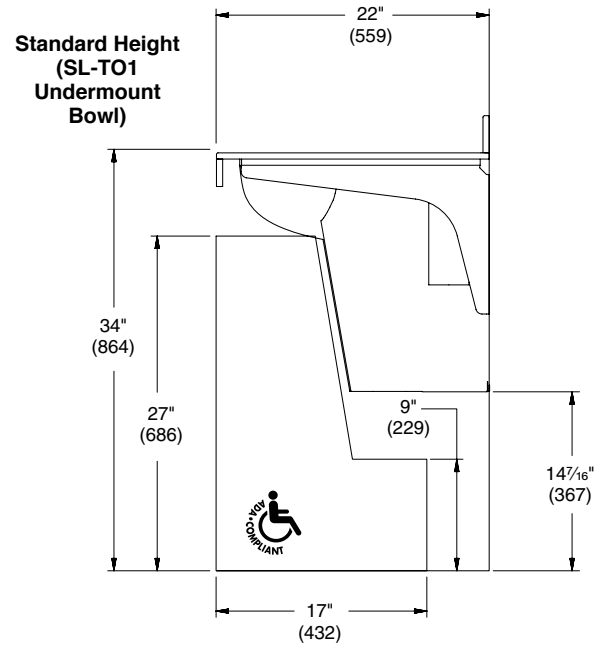
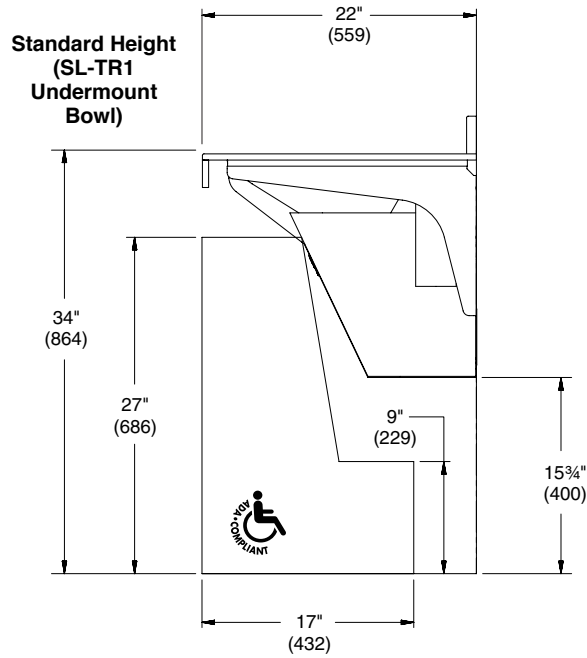
© 2020 Bradley
P.O. Box 309, Menomonee Falls, WI 53052-0309
800 BRADLEY (800 272 3539) +1 262 251 6000
bradleycorp.com



LD-3010 Dimensions (Side View)

(mm)

Surface mount brackets shown. Also available with carrier sleeves for concealed in wall carriers.



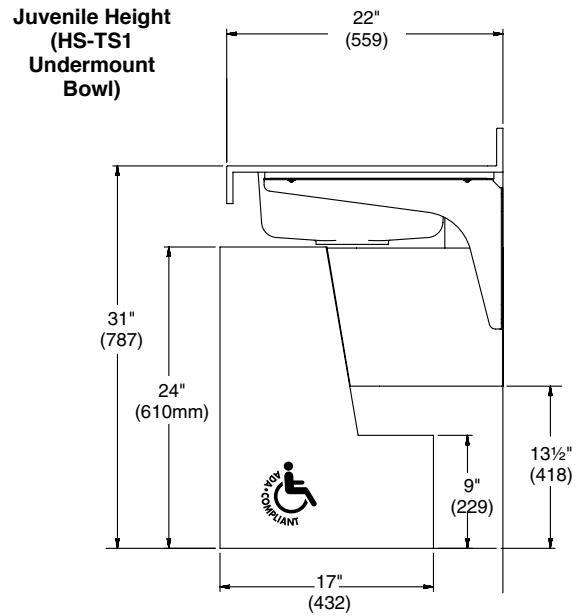
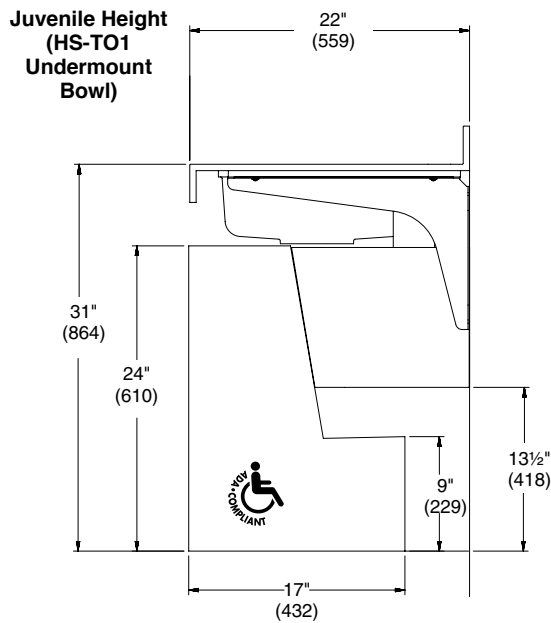
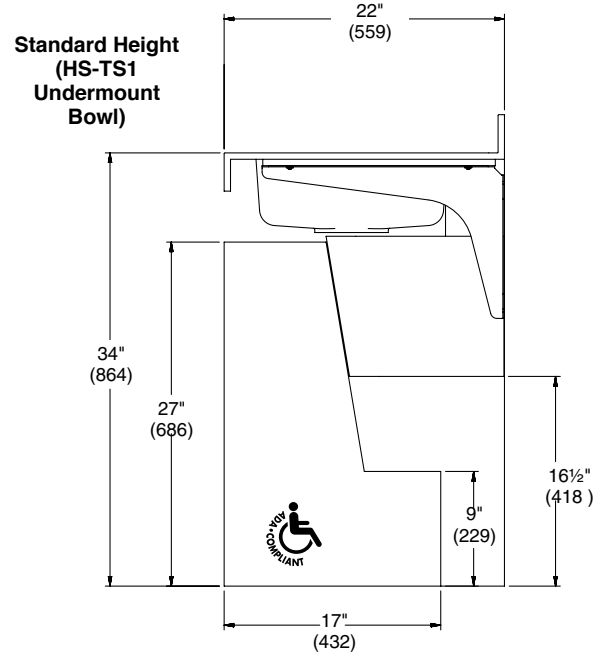
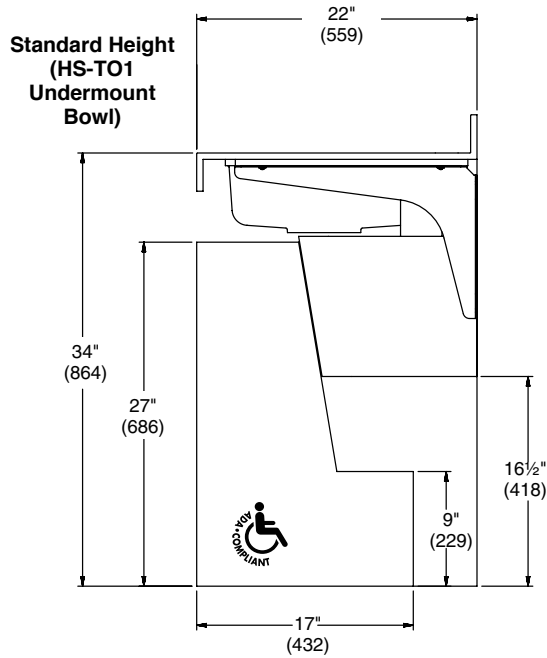
Verify all rough-in dimensions prior to installation.
Consult local and national codes. Conformity and compliance to local and national codes is the responsibility of the installer.



LD-3010 Dimensions (Side View)

(mm)

Surface mount brackets shown. Also available with carrier sleeves for concealed in wall carriers.



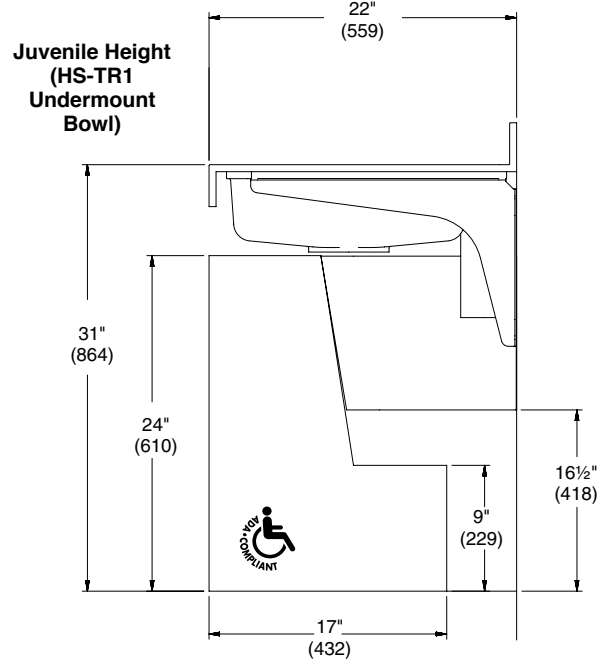
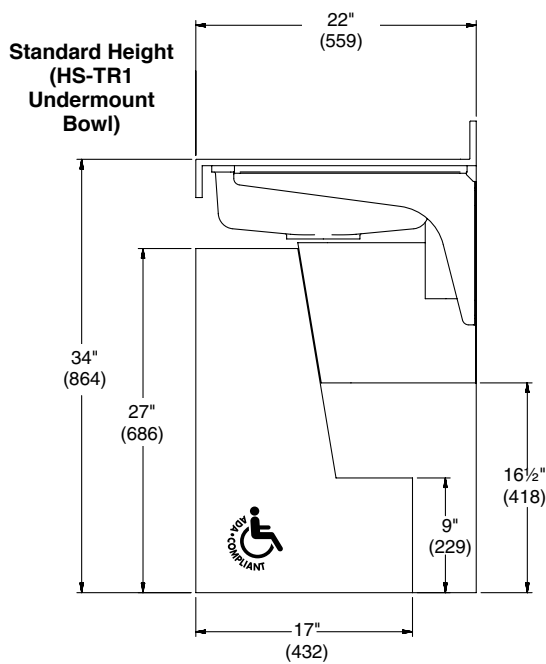
Verify all rough-in dimensions prior to installation.
Consult local and national codes. Conformity and compliance to local and national codes is the responsibility of the installer.



LD-3010 Dimensions (Side View)

(mm)

Surface mount brackets shown. Also available with carrier sleeves for concealed in wall carriers.



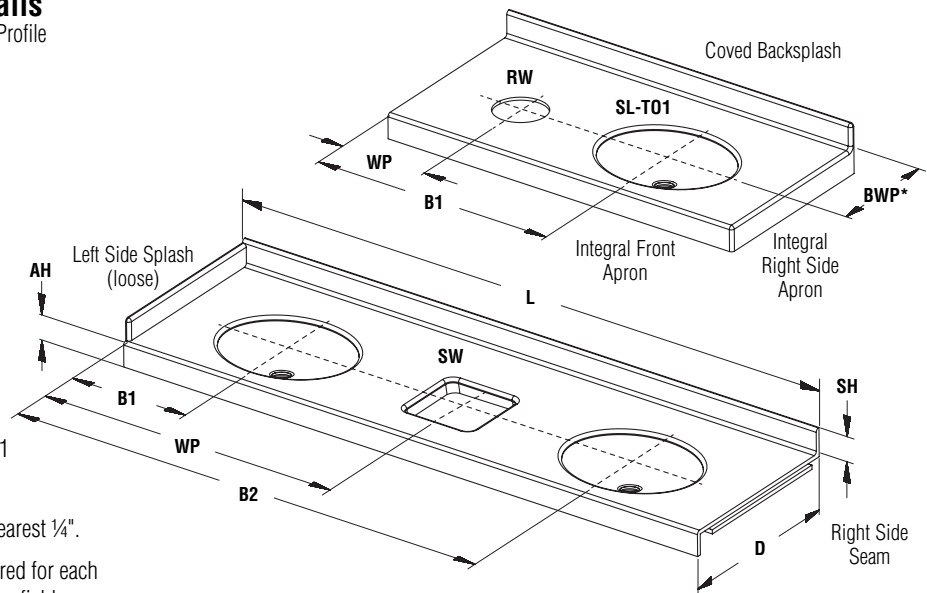
LD-3010 Deck and Bowl Details

Sample Configurations shown with Roundover Profile

Key	Description
L	Length of Deck
D	Depth of Deck
B1	Bowl #1 Placement
B2	Bowl #2 Placement
BWP*	Bowl and Waste Position
WP	Waste Placement (centered with bowl position)
SH	Splash Height
AH	Apron Height

* BWP default dimensions is 13" for SL-T01 bowl option. 12" for all other bowl options.

- Dimensions must be specified to the nearest 1/4".
- A separate tech data document is required for each deck. Decks over 120" are seamed in the field.



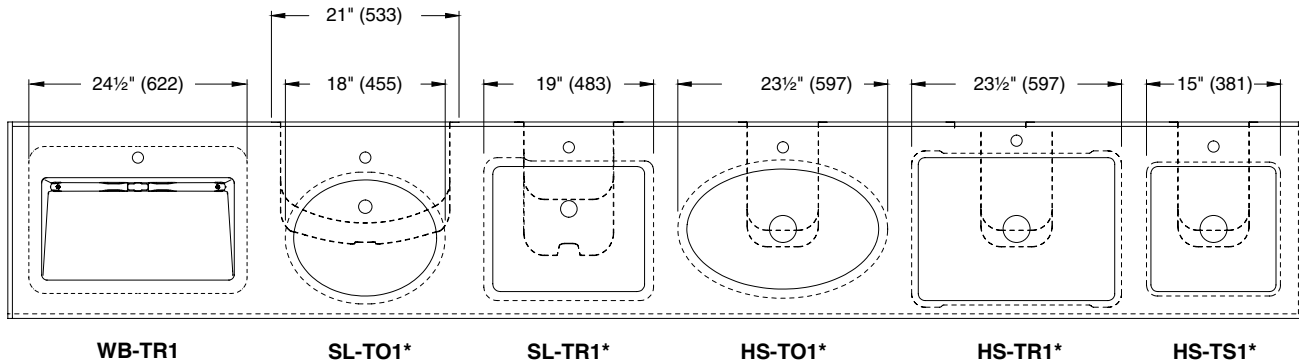
Verify all rough-in dimensions prior to installation. Consult local and national codes. Conformity and compliance to local and national codes is the responsibility of the installer.



LD-3010 Product Option Component Clearance

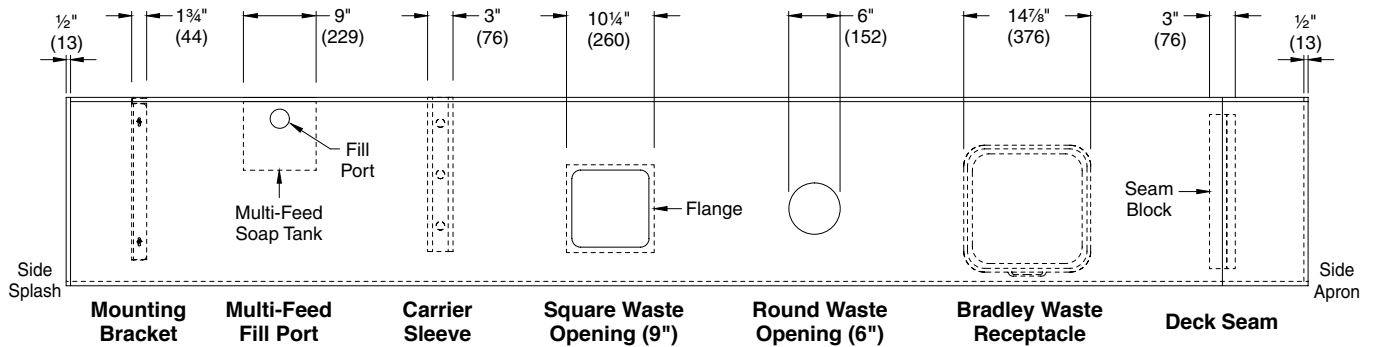
(mm)

- ☑ Use these drawings as a guideline to ensure your deck length can accommodate your option configuration.



*Shown with access panel

- ☑ A 0.25" (6 mm) clearance between components (splash to bracket, bracket to bowl flange, etc.) is required.



Verify all rough-in dimensions prior to installation.
Consult local and national codes. Conformity and compliance to local and national codes is the responsibility of the installer.



- All OmniDecks are non-cancelable and non-returnable.
- Submittal drawings not required for product configured to technical data options but available upon request.

Models (Must select one)	
Model	Description
LD-3010	OmniDeck 3000 Series

Deck Configuration			
Deck Configuration Type (select one)			
<i>NOTE: Changes to predetermined dimensions require custom unit.</i>			
STD	Standard	CST	Custom
Deck Length (L)** (select one)			
30.00	30" (Standard)	120.00	120" (Standard)
60.00	60" (Standard)	CST	Custom _____"
90.00	90" (Standard)	<i>(reference product option component clearances on previous pages. 0.25" increments)*</i>	
Deck Depth (D)* (select one)			
22.00	22" Standard (minimum)		
CST	Custom _____" (22.25" – 25" reference product option component clearances on previous pages. 0.25" increments)		

Bowl Configuration			
Bowl Type (select one) - refer to basin availability chart on page 2			
WB-TR1	WB Rectangular Undermount w/ Stainless Steel Drain Cap		
SL-TO1	SL Oval Integral Undermount		
SL-TR1	SL Rectangular Integral Undermount		
HS-TO1	HS Oval Integral Undermount		
HS-TS1	HS Square Integral Undermount		
HS-TR1	HS Rectangular Integral Undermount		
NONE	No Bowl (custom)		
Bowl Quantity (select one)			
1	One Bowl	4	Four Bowls
2	Two Bowls	CST	Custom _____(7 max for Fill System Type T; 6 max for Fill System Type M)
3	Three Bowls		
Trench Drain Cap Type [‡] (select one)			
DR1	Stainless Steel Trench Drain Cap		
Color of Terreon Bowl (select one)			
ALP-WHT	Alpine White	LONDON	London Gray
BONE	Mesa Bone	O-TAUPE	Organic Taupe
DS-WHT	Designer White	NONE	No Bowl
SAME	Same as Deck - (Requires Tempered Water)		

Waste Receptacle Configuration (available with CST length only)

Waste Opening Type			
SW	9" Square w/Flange	RW	6" Round; no Flange
RWC	6" Round w/Stn. Steel Chute		
Waste Opening Quantity			
1	One Opening	CST	Custom _____(7 max)
2	Two Openings	NONE	No Opening
3	Three Openings		
Waste Receptacle Type			
WR	377-363700 (21 Gallon Capacity Waste Receptacle)▲		
NONE	No Receptacle		
<i>NOTE: Waste receptacles are only available on units with a 34" rim height and 4" or less front apron.</i>			

Bowl/Waste Receptacle Placement Configuration

Bowl/Waste Receptacle Placement*** (select one)	
STD	Standard Placement (evenly distributed on deck)
CST	Custom Placement

General Options

Edge Style Type	
EE	Ease Edge
RO	3/8" Radius Roundover
<i>NOTE: Sidesplashes sit lower than the backsplash when RO option is selected. If wall is to be tiled after deck installation, EE option is recommended.</i>	

Backsplash Type (greater than 5" is shipped loose)

BS	Backsplash	NBS	No Backsplash
-----------	------------	------------	---------------

Front Apron Type

FA	Front Apron	NFA	No Front Apron
-----------	-------------	------------	----------------

Left Side Type

LSS	Left Side Splash****	SEAM-L	Side Seam**
LSA	Left Side Apron		
NONE	No Left Side Option		

Right Side Type

RSS	Right Side Splash****	SEAM-R	Side Seam**
RSA	Right Side Apron		
NONE	No Right Side Option		

* WB-TR1 can accommodate a custom deck depth down to 20.5".

** Decks exceeding 120" will consist of multiple deck segments and will require a seam.

*** Due to space limitations, waste openings cannot be placed in-between standard bowl placements.

**** Side splash ships loose.

◇ Bracket or sleeve quantity is dependent on deck length. 2" to 45" = 2 brackets, 45.25" to 75" = 3 brackets, 75.25" to 105" = 4 brackets and 105.25" to 120" = 5 brackets

† This color contains large, randomly distributed chips.

△ Not available with Bowl Type NONE

▲ Not available with Waste Opening Quantity NONE

‡ Available with WB-TR1 only.

Verify all rough-in dimensions prior to installation.
Consult local and national codes. Conformity and compliance to local and national codes is the responsibility of the installer.



<input checked="" type="checkbox"/> All OmniDecks are non-cancelable and non-returnable. <input checked="" type="checkbox"/> Submittal drawings not required for product configured to technical data options but available upon request.																
General Options (continued) Soap Dispenser Type Δ (select one) <table style="width: 100%; border-collapse: collapse;"> <tr><td style="padding: 2px;">WBD1</td><td style="padding: 2px;">WashBar Duo (available with Faucet Type WBD1 only)</td></tr> <tr><td style="padding: 2px;">6-3100</td><td style="padding: 2px;">Verge Deck-Mounted Soap Dispenser – Crestt Series</td></tr> <tr><td style="padding: 2px;">6-3300</td><td style="padding: 2px;">Verge Deck-Mounted Soap Dispenser – Metro Series</td></tr> <tr><td style="padding: 2px;">6-3500</td><td style="padding: 2px;">Verge Deck-Mounted Soap Dispenser – Linea Series</td></tr> <tr><td style="padding: 2px;">6-3700</td><td style="padding: 2px;">Verge Deck-Mounted Soap Dispenser – Zen Series</td></tr> <tr><td style="padding: 2px;">SDO</td><td style="padding: 2px;">1-3/8" Soap Drilling Only</td></tr> <tr><td style="padding: 2px;">WBD1-DO</td><td style="padding: 2px;">WashBar Duo Drilling Only</td></tr> <tr><td style="padding: 2px;">NSD</td><td style="padding: 2px;">None</td></tr> </table>	WBD1	WashBar Duo (available with Faucet Type WBD1 only)	6-3100	Verge Deck-Mounted Soap Dispenser – Crestt Series	6-3300	Verge Deck-Mounted Soap Dispenser – Metro Series	6-3500	Verge Deck-Mounted Soap Dispenser – Linea Series	6-3700	Verge Deck-Mounted Soap Dispenser – Zen Series	SDO	1-3/8" Soap Drilling Only	WBD1-DO	WashBar Duo Drilling Only	NSD	None
WBD1	WashBar Duo (available with Faucet Type WBD1 only)															
6-3100	Verge Deck-Mounted Soap Dispenser – Crestt Series															
6-3300	Verge Deck-Mounted Soap Dispenser – Metro Series															
6-3500	Verge Deck-Mounted Soap Dispenser – Linea Series															
6-3700	Verge Deck-Mounted Soap Dispenser – Zen Series															
SDO	1-3/8" Soap Drilling Only															
WBD1-DO	WashBar Duo Drilling Only															
NSD	None															
Soap Activation Type Δ (select one) <table style="width: 100%; border-collapse: collapse;"> <tr><td style="padding: 2px;">R</td><td style="padding: 2px;">Touch-Free Activation (available w/ Verge soap dispenser only)</td></tr> <tr><td style="padding: 2px;">NONE</td><td style="padding: 2px;">No Activation (available w/SDO, NSD, or WBD1 only)</td></tr> </table>	R	Touch-Free Activation (available w/ Verge soap dispenser only)	NONE	No Activation (available w/SDO, NSD, or WBD1 only)												
R	Touch-Free Activation (available w/ Verge soap dispenser only)															
NONE	No Activation (available w/SDO, NSD, or WBD1 only)															
Soap Type Δ (select one) - available with Verge soap dispenser or WBD1 only <table style="width: 100%; border-collapse: collapse;"> <tr><td style="padding: 2px;">F</td><td style="padding: 2px;">Foam Soap</td></tr> <tr><td style="padding: 2px;">L</td><td style="padding: 2px;">Liquid Soap</td></tr> </table>	F	Foam Soap	L	Liquid Soap												
F	Foam Soap															
L	Liquid Soap															
Soap Fill System Δ (select one) - available with Verge soap dispenser only <table style="width: 100%; border-collapse: collapse;"> <tr><td style="padding: 2px;">T</td><td style="padding: 2px;">Single (top fill at spout)</td></tr> <tr><td style="padding: 2px;">M</td><td style="padding: 2px;">Multi-Feed (shared tank, includes 6-SOAP-MFT Multi-Feed Soap Tank Assembly; not available with access panel)</td></tr> </table>	T	Single (top fill at spout)	M	Multi-Feed (shared tank, includes 6-SOAP-MFT Multi-Feed Soap Tank Assembly; not available with access panel)												
T	Single (top fill at spout)															
M	Multi-Feed (shared tank, includes 6-SOAP-MFT Multi-Feed Soap Tank Assembly; not available with access panel)															
Soap Drilling Type Δ (select one) - not available with NSD or faucet/soap type WBD1 <table style="width: 100%; border-collapse: collapse;"> <tr><td style="padding: 2px;">SDR</td><td style="padding: 2px;">Soap Drilling to Right of Faucet</td></tr> <tr><td style="padding: 2px;">SDL</td><td style="padding: 2px;">Soap Drilling to Left of Faucet</td></tr> </table>	SDR	Soap Drilling to Right of Faucet	SDL	Soap Drilling to Left of Faucet												
SDR	Soap Drilling to Right of Faucet															
SDL	Soap Drilling to Left of Faucet															
Multi-Feed Port Location Type Δ (select one) <table style="width: 100%; border-collapse: collapse;"> <tr><td style="padding: 2px;">MDR</td><td style="padding: 2px;">Multi-Feed Port Drilling to Right of Deck (available with Soap Fill System Type M only)</td></tr> <tr><td style="padding: 2px;">MDL</td><td style="padding: 2px;">Multi-Feed Port Drilling to Left of Deck (available with Soap Fill System Type M only)</td></tr> <tr><td style="padding: 2px;">NONE</td><td style="padding: 2px;">No Multi-Feed Fill System</td></tr> </table>	MDR	Multi-Feed Port Drilling to Right of Deck (available with Soap Fill System Type M only)	MDL	Multi-Feed Port Drilling to Left of Deck (available with Soap Fill System Type M only)	NONE	No Multi-Feed Fill System										
MDR	Multi-Feed Port Drilling to Right of Deck (available with Soap Fill System Type M only)															
MDL	Multi-Feed Port Drilling to Left of Deck (available with Soap Fill System Type M only)															
NONE	No Multi-Feed Fill System															
Soap Dispenser Finish Type Δ (select one) <table style="width: 100%; border-collapse: collapse;"> <tr><td style="padding: 2px;">PC</td><td style="padding: 2px;"> Polished Chrome</td></tr> <tr><td style="padding: 2px;">BB</td><td style="padding: 2px;"> Brushed Black Stainless</td></tr> <tr><td style="padding: 2px;">BS</td><td style="padding: 2px;"> Brushed Stainless</td></tr> <tr><td style="padding: 2px;">BZ</td><td style="padding: 2px;"> Brushed Bronze</td></tr> <tr><td style="padding: 2px;">BR</td><td style="padding: 2px;"> Brushed Brass</td></tr> <tr><td style="padding: 2px;">BN</td><td style="padding: 2px;"> Brushed Nickel</td></tr> </table> <p style="font-size: small; margin-top: 5px;"><i>NOTE: Finish will be applied to multi-feed fill port (if selected) and soap dispenser.</i></p>	PC	Polished Chrome	BB	Brushed Black Stainless	BS	Brushed Stainless	BZ	Brushed Bronze	BR	Brushed Brass	BN	Brushed Nickel				
PC	Polished Chrome															
BB	Brushed Black Stainless															
BS	Brushed Stainless															
BZ	Brushed Bronze															
BR	Brushed Brass															
BN	Brushed Nickel															

Soap Power Supply Δ (select one)	
AC	AC Power (available w/ Verge soap dispenser only)
BA	Battery – 4 D-cell alkaline batteries included per dispenser (available w/ Verge soap dispenser only)
NONE	No Power Supply (available w/soap drilling or WBD1 only)
<i>NOTE: AC power supply will include either individual AC plug-in adapter OR 4-way AC splitter assembly depending on the configuration.</i>	
Mounting Type (select one)	
SLV	Carrier Sleeves \diamond
BRKT	Stainless Steel Bracket(s) \diamond
NONE	Customer-Supplied Mounting
Access Panel Type (select one) - refer to basin & access panel availability charts on page 2	
LD-TRAP	Stainless Steel Access Panel (HS and SL Series Undermounts Only)
STAIN	Swing Down Stainless Steel [†]
STAIN-E	Swing Down Stainless Steel w/Enclosed Bottom [†]
PWB	Swing Down Matte Black Powder-Coated Stainless Steel [‡]
PWB-E	Swing Down Matte Black Powder-Coated Stainless Steel w/Enclosed Bottom [‡]
NONE	None
Waste Assembly Type Δ (select one)	
P-TRAP-C	Chrome-Plated Brass (individual)
P-TRAP-P	Polypropylene (individual)
NONE	No P-Trap

** Decks exceeding 120" will consist of multiple deck segments and will require a seam.
 *** Due to space limitations, waste openings cannot be placed in-between standard bowl placements.
 **** Side splash ships loose.
 \diamond Bracket or sleeve quantity is dependent on deck length. 2" to 45" = 2 brackets, 45.25" to 75" = 3 brackets, 75.25" to 105" = 4 brackets and 105.25" to 120" = 5 brackets
[†] This color contains large, randomly distributed chips.
 Δ Not available with Bowl Type NONE
 \blacktriangle Not available with Waste Opening Quantity NONE
[‡] Available with WB-TR1 only.
 \blacksquare Available in Finish Type PC (Polished Chrome) only.

Verify all rough-in dimensions prior to installation.
 Consult local and national codes. Conformity and compliance to local and national codes is the responsibility of the installer.