

NEW

# VIBE 5828

58" x 28" x 21" (FREESTANDING)

Vibe is a new collection of therapeutic bathtubs with minimalist and contemporary flair. The collection is perfect for urban city dwellers who want to bring value and refinement to smaller bathrooms.

## PRODUCT SHEET

### PRODUCT NO.

DESCRIPTION	TMU	TUB
Freestanding	BVICRF00T-XX	BVICRF00N-XX

### THERMOMASSEUR (TMU)

Hydro-thermo massage • Air jet system

\$

Jets	40
1 heated backrest	Included
MiaPlus® Control*	Included
Geysair®	Included
Illuzio Chromatherapy <b>BCHRO6</b>	\$

### TUB

Soaker

\$

Illuzio Chromatherapy <b>BCHRO6</b>	\$
WarmTouchShell® <b>BWTS</b>	\$
DOT control	Included with therapy

### FEATURES

Installation type	Freestanding
No. of bathers	36
US gallons	44
Imp. gallons	36

### INTEGRATED WASTE & OVERFLOW **BOVERINI-XX**

White <b>01</b> , Chrome <b>07</b> , Brushed Nickel <b>09</b> , Polished Nickel <b>10</b>	Installed & Included
---	----------------------

### STANDARD COLOR

 White <b>01</b>	Included
---	----------

### OPTIONS (UPCHARGE APPLICABLE)

#### COLOR

 Black / White <b>66 NEW</b>	\$
---	----

#### FINISH

UltraVelour Matte Finish (White only) <b>BVEL</b>	\$
---	----

#### INTEGRATED WASTE & OVERFLOW **BOVERINI-XX**

Matte Black <b>19</b> , Black Chrome <b>12</b> , Satin Brass <b>18</b>	\$
--	----

#### ISLAND TUB DRAIN™\*\*

Island Tub Drain™ <b>BISLDD</b>	\$
Cast Iron Island Tub Drain™ <b>BISLDDCI</b>	\$

#### CONTROL

MiaMulti® <b>BMIAM2-XX</b>	\$
----------------------------	----

#### IF REQUIRED BY CONSTRUCTION CODE OR INSTALLED WITH ITD

Brass waste & overflow kit <b>BDRCOB</b>	\$
Brass waste kit <b>BDRCB</b>	\$

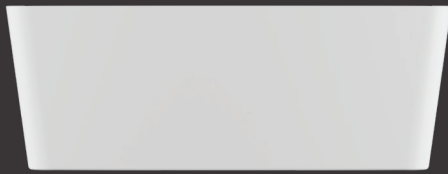


Don't forget to specify the **finish of the integrated waste & overflow**.

\* Control must be wall-mounted. Faucets must be freestanding or wall-mounted.

\*\* An Island Tub Drain™ is required when there is **no access under the bath**.

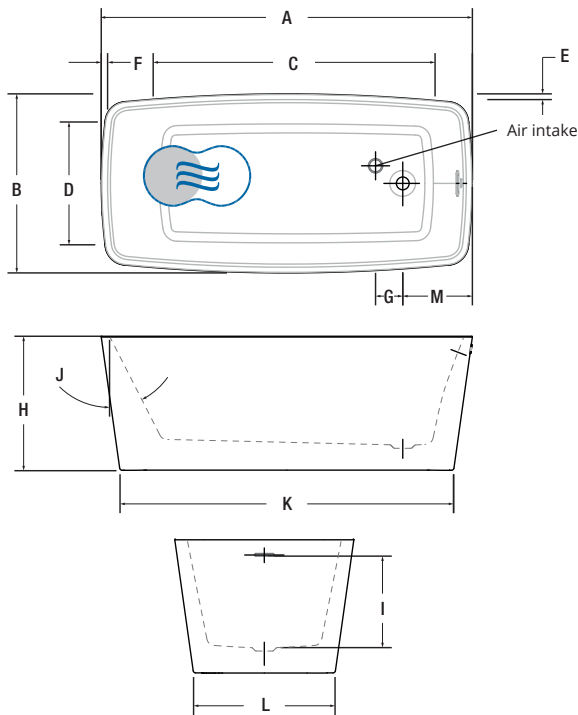
**TOTAL PRICE** \$



**VIBE 5828 (FREESTANDING)**



**INSTALLATION**



LETTER	DESCRIPTION	MEASURE
A	Total length	58"
B	Total width	28"
C	Bathing well length	44"
D	Bathing well width	19 1/8"
E	Deck width	7/8"
F	Deck width at headrest	1"
G	Center waste to air intake	4 1/4"
H	Total height	21"
I	Maximum water level	14 1/4"
J	Slope of backrest	27°
K	Base length	52 1/8"
L	Base width	22 1/8"
M	The outer edge to center of waste	10 7/8"

- Indicates heated backrest (TMU)
- ⊕ Indicates WarmTouchShell® position (TUB)

**TECHNICAL SPECIFICATIONS**

<b>Hot water supply required</b>	Should be 70% of water capacity of TUB or greater.
<b>Turbine</b>	Access to the pump must be at least 18" x 22". <b>Standard connection is 20 A, 120 V, 60 hz</b> , dedicated line with a Ground-Fault Circuit Interrupter (GFCI). <b>For any additional option, a second line is needed 15 A, 120 V, 60 hz</b> , dedicated line with a GFCI. Air vent necessary: 2" x 4" minimum.
<b>Others</b>	<ul style="list-style-type: none"> <li>- Faucet must be freestanding or wall-mounted.</li> <li>- The turbine must be <b>remotely installed</b>.</li> <li>- Controls cannot be installed on the deck of the bath.</li> </ul>

Our products must be installed by certified professionals only and according to our Owner's Manual as well as federal, provincial/state and local building codes and regulations ([www.bainultra.com/documentation/documentation](http://www.bainultra.com/documentation/documentation)).

<b>Cutting template</b>	# 90000078
<b>Approx. shipping weight</b>	225 lbs
<b>Turbine power</b>	550 W
<b>Air heater</b>	600 W
<b>WARRANTY</b>	
Controls-LED-Geysair*	5 years
Bath & turbine*	20 years

\* Some restrictions apply | [www.bainultra.com/warranty](http://www.bainultra.com/warranty)



The specifications shown indicate the outer edge dimension and the inside bathing capacity dimension measured at air jets' height. The manufacturer accepts a 1/4" [0.64 cm] variance. There are variations on each product and specifications are subject to change as we improve upon our product as required. The dimensions needed for site preparation and structure building will differ. BainUltra® assumes no responsibility for preparatory work done prior to the product being on site.