

For Residential and Commercial Applications

Job Name		Engineer / Architect	
Job Location		Wholesaler	
Submittal Date		Contractor	

KTCS41X 1/4 Turn Straight Ball Stop - Sweat x Compression With 5" Sweat Extension

Use: For use in potable water distribution systems in accessible locations only.

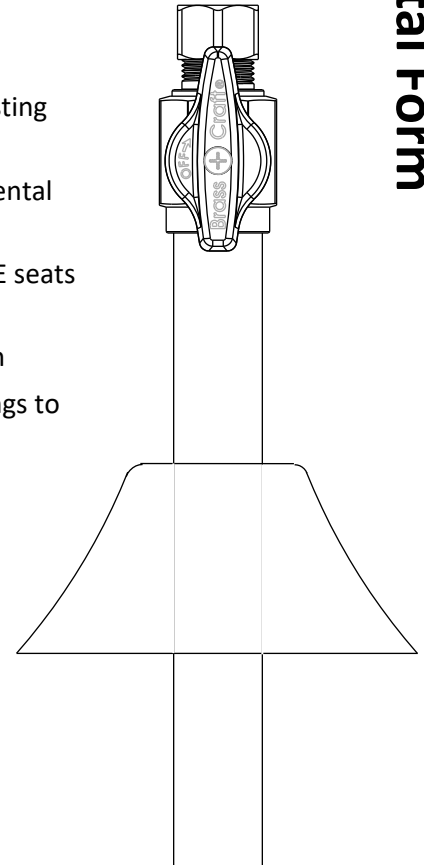
Design Features:

- **Machined one-piece brass body** provides strength, durability, and long-lasting performance
- **Easy-to-remove handle** with screw attachment helps protect against accidental stop operation during rough-ins
- **Precision-machined brass ball** is specially engineered and mated with PTFE seats to provide smooth operation
- **Two high-performance o-rings** withstand high temperatures and corrosion
- **Blow-out proof brass stem** is assembled from the inside out with two o-rings to ensure safe, reliable performance
- **Plated stem** provides corrosion resistance and prevents o-ring damage
- **Metal handle** is designed for durability, corrosion resistance, and a sleek appearance
- **100% leak tested**



Operating Specifications:

Temperature: 40° - 180° F
Pressure: 125 PSI maximum



STOP MATERIAL SPECIFICATIONS

Body	<i>Brass, plated</i>
Stem	<i>Brass, plated</i>
Handle	<i>Zinc die cast, plated</i>
Handle Screw	<i>Steel, zinc plated</i>
O-ring	<i>Rubber</i>
Ball	<i>Brass, plated</i>
Seat	<i>PTFE</i>
Compression Sleeve	<i>Brass</i>
Compression Nut	<i>Brass, plated</i>
Extension Tube	<i>Copper, plated</i>
Bell Escutcheon	<i>Steel, plated</i>

This specification and all information contained herein is the confidential and exclusive property of Brasscraft Manufacturing Company and shall not be disclosed to others without the written consent of Brasscraft Mfg. Co. This specification must be returned to Brasscraft Mfg. Co. if requested.

400.97 KTCS41X 1/4 Turn Straight Ball Stop - Sweat x Comp w/5" Ext REV 9.19



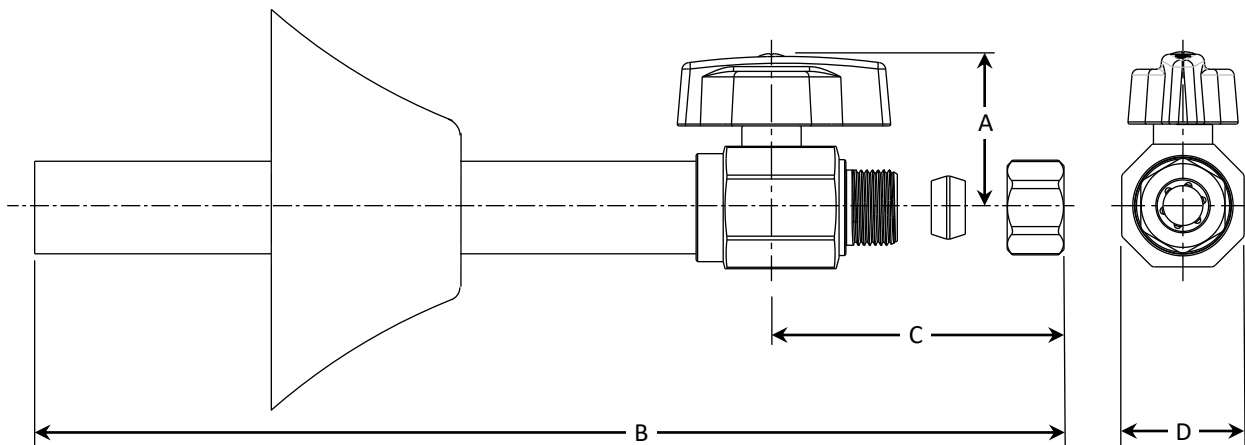
©2019 Brasscraft Manufacturing Company

KTCS41X 1/4 Turn Straight Ball Stop - Sweat x Compression With 5" Sweat Extension

Part Listing:

- KTCS41X C 1/2" nom sweat x 3/8" OD compression, chrome plated
- KTCS41BX C 1/2" nom sweat x 3/8" OD compression, chrome plated

PART DIMENSIONS (Inches)				
Model	DIM A	DIM B	DIM C	DIM D
KTCS41X	1.14	6.66	1.20	.91



Listings & Certifications:

- IAPMO listed to ASME A112.18.1 / CSA B125.1 (includes NSF/ANSI 372 and NSF61)



This specification and all information contained herein is the confidential and exclusive property of Brasscraft Manufacturing Company and shall not be disclosed to others without the written consent of Brasscraft Mfg. Co. This specification must be returned to Brasscraft Mfg. Co. if requested.

BrassCraft®