

67" ATLIN ACRYLIC ROLL TOP TUB

Cat. No.
ATR67



L: 67"
W: 29-1/2"
H: 24-1/4" (from floor)
18" (from bottom of tub)

Water Depth: 11-1/2" to OF

Features:

- ▶ Outside is textured fiberglass reinforced polyester coated with two-part epoxy
- ▶ 3-3/8" centers in tub wall with continuous rolled rim
- ▶ Pre-drilled overflow hole
- ▶ Cast aluminum ball and claw feet
- ▶ Feet are attached and leveled before shipment
- ▶ Tub is thoroughly inspected before shipment



Tub Color

WH White

Foot Finishes

- | | |
|---------------------------|------------------------------|
| BQ Bisque | BN Brushed Nickel |
| BL Black | ORB Oil Rubbed Bronze |
| PB Polished Brass | PN Polished Nickel |
| CP Polished Chrome | WH White |

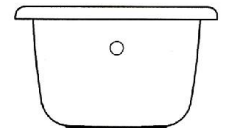
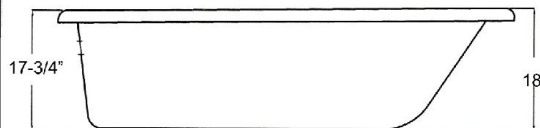
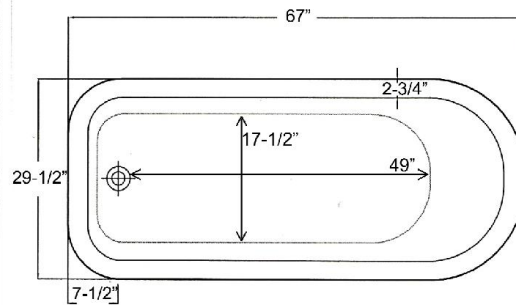
Custom Colors Available (inside of tub is always white enamel):
Painted bathtubs are considered "special order" and are not returnable
\$160 Bisque or Black \$250 Designer Color

The following is recommended for ATR67 tubs:

- Tub wall-mounted faucets: #4022, 4025 or 4035
- Double offset bath supplies: part #5576
- Leg tub drain: part #5599

**Do Not Use with rigid, freestanding
supplies.**

Gallon Capacity: 50
Shipping Weight: 150 lbs.
Empty Weight: 100 lbs.
Filled Weight: 518 lbs.



Dimensions of fixture are nominal and specifications subject to change without notice.

CODE RECTANGULAR SHOWER UNIT

Cat. No.
4122



Features:

- ▶ 3/4" Solid brass tubing
- ▶ Code gooseneck spout
- ▶ 3-3/8" Centers
- ▶ 1/4 Turn ceramic disc cartridges
- ▶ Flow rate 3.68 GPM
- ▶ Porcelain lever handles
- ▶ Rectangular shower rod and riser included
- ▶ Includes ceiling and wall support assemblies
- ▶ Supports are adjustable by cutting
- ▶ Does Not include showerhead
- ▶ For acrylic tub use only
- ▶ For cast iron tub use **Part# 4124**

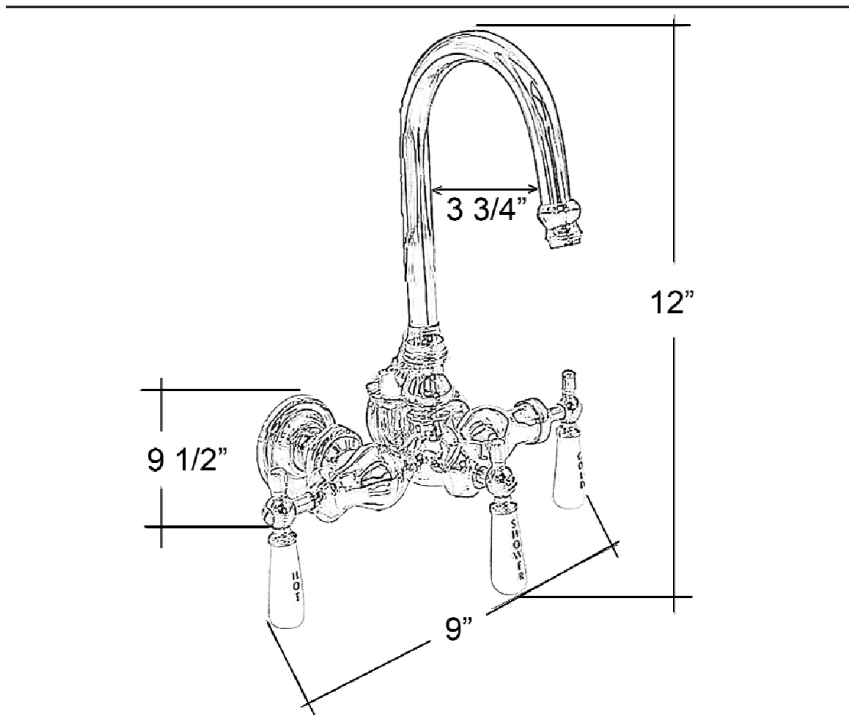
Finishes:

- CP Polished Chrome
- BP Polished Brass
- SN Brushed Nickel

Shower Rod

L: 48"
D: 24"

Riser Height: 62"
Wall Support: 10" Adjustable
Ceiling Support: 30" Adjustable



Dimensions are nominal and may vary. Dimensions and specifications subject to change without notice.

DOUBLE OFFSET BATH SUPPLIES

Cat.No.
5576



H: 24"

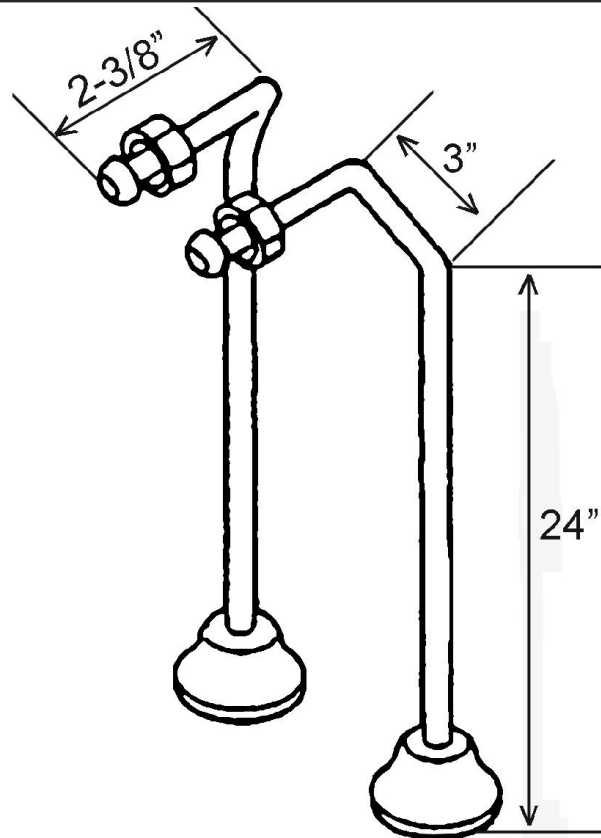
OD: 1/2"

Features:

- ▶ For use with faucets mounted to the tub wall
- ▶ No Stops
- ▶ 1/2" Compression inlet
- ▶ 3/4" Compression outlet
- ▶ 0.500" Outer diameter
- ▶ 0.440" Inner diameter
- ▶ 0.030" Thickness of the wall
- ▶ Available in 5 finishes

Finishes:

CP	Polished Chrome	PN	Polished Nickel
PB	Polished Brass	BN	Brushed Nickel
ORB	Oil Rubbed Bronze		



Use on concrete floors requires special installation. We recommend using a plumbing professional.

Dimensions and specifications subject to change without notice.

LEG TUB DRAIN

Cat. No.
5599



Escutcheon Height: 1-1/4"

Features:

- ▶ Twist-and-lift stopper
- ▶ Includes deep escutcheon
- ▶ Height adjustable 15"-18"
- ▶ Depth adjustable 12"-14"
- ▶ Includes deep escutcheon
- ▶ Available in 5 Finishes

Finishes:

- CP Polished Chrome
- BP Polished Brass
- SN Brushed Nickel
- PN Polished Nickel
- ORB Oil Rubbed Bronze

#5599 Leg Tub Drain



Dimensions and specifications subject to change without notice.