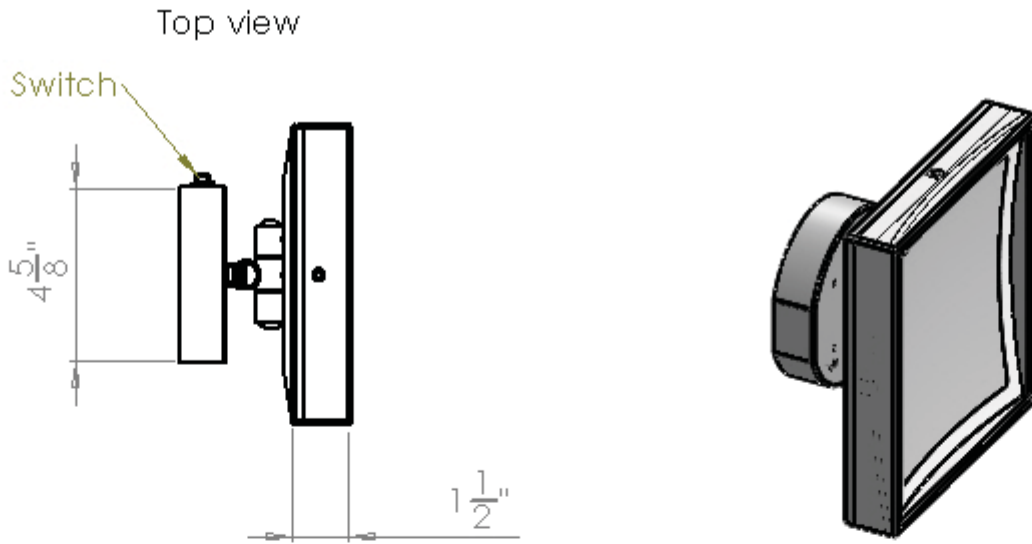


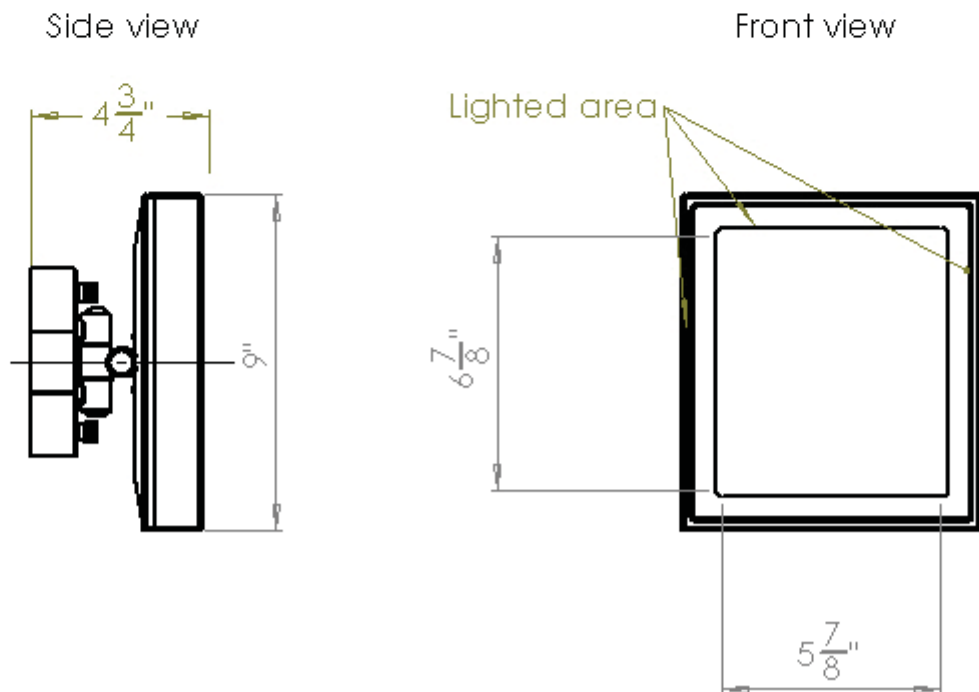


Catalog Number: BSR-201

# Baci At Home

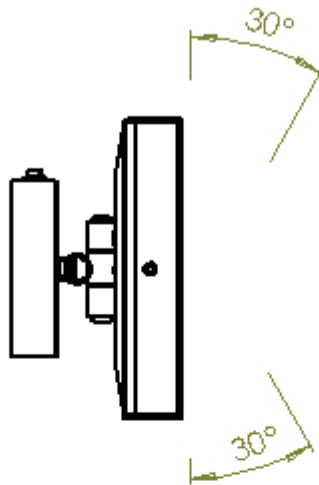


The center of the mirror is directly over the center of the outlet box. Since the typical user's eye height is 58 3/4" the outlet box should be centered 58 3/4" above the floor.



BSR-201

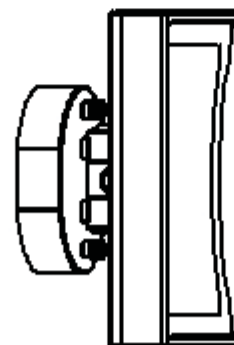
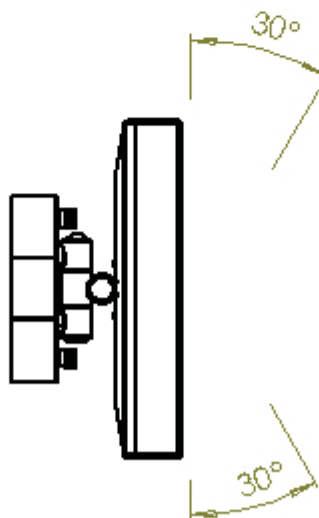
Top view  
Mirror tilts left and right



### Installation

- 1) Attach the backplate to the outlet box
- 2) Connect wires - green to ground, white to neutral and black to line
- 3) Place the mirror over the screws on the backplate
- 4) Place the plastic washers over the screws
- 5) Secure the mirror with the two canopy knobs

Side view  
Mirror tilts up and down





**BSR-201-CC - Tilt\Swivel wall mirror**

<b>Product Category</b>	Baci Senior Mirrors
<b>Special Features</b>	Solid brass construction Optical quality 5X glass mirrors High power, natural white LED lighting 5-year warranty ADA Recognized
<b>Lighting</b>	Halo Light - High Power LED
Lumens	775
Color Temperature	2800 to 4800
Color Rendering Index	Min. 80
<b>Electrical</b>	
Watts	9
Volts	100-240
Hertz (Frequency)	56/60
Amps (Current)	.22
<b>UL Listing</b>	Furnishing - suitable for commercial or residential use in dry or damp locations (US\C)
<b>Dimensions</b>	Mirror body 8" wide x 9" high
<b>Basic Model</b>	BSR-201-CC-CHR
<b>Body Type</b>	All metal body
<b>Magnification</b>	5X
<b>Finish options</b>	
Standard	Chrome, Satin Nickel, Bronze or Brass
Premium	Polished Nickel, Copper, Antique Brass
Custom	24 KT Gold, Kohler Vibrant Bronze, etc.