

**COLONY® 25 x 22 SINGLE BOWL  
STAINLESS STEEL KITCHEN SINK**

**20SB.8252283S.075**

- Colony Single Bowl Sink
- 3 hole
- 8" deep bowl
- 20 Gauge Stainless Steel
- Top Mount Installation
- Bottom Sound Deadening Pads with undercoating
- Waste fitting included
- Cutout template, installation instructions and top mount hardware included
- 27" (686mm) cabinet required
- Limited Lifetime Warranty

**20SB.8252284S.075**

- Colony Single Bowl Sink
- 4 hole
- 8" deep bowl
- 20 Gauge Stainless Steel
- Top Mount Installation
- Bottom Sound Deadening Pads with undercoating
- Waste fitting included
- Cutout template, installation instructions and top mount hardware included
- 27" (686mm) cabinet required
- Limited Lifetime Warranty



SEE REVERSE FOR ROUGHING-IN  
DIMENSIONS AND PRODUCT SPECIFICATIONS

**Nominal Dimensions:**

25" x 22" x 8"  
(635 x 559 x 203mm)

**Each Bowl Size:**

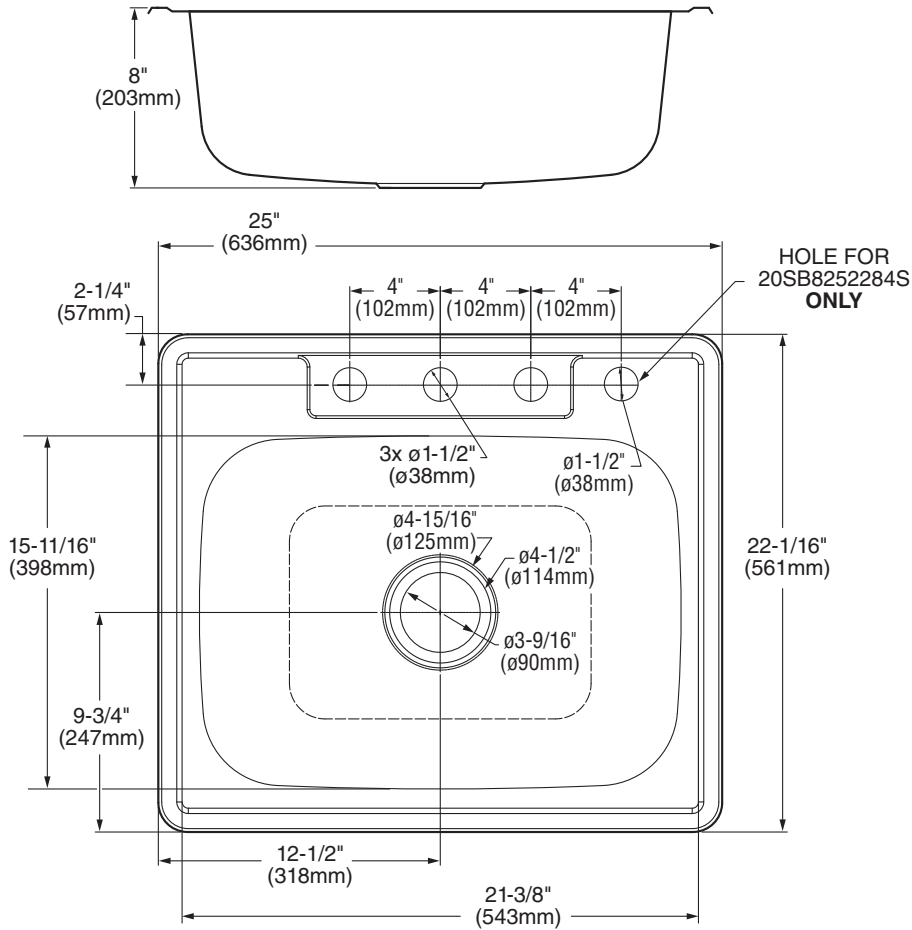
21-1/4" (540mm) wide  
15-1/8" (384mm) front to back  
8" (203mm) deep

**Compliance Certifications - Meets or Exceeds the  
Following Specifications:**

- **SINK:**  
ASME A112.19.3

**To Be Specified:**

- Color: Stainless Steel .075



**NOTES:**

\* DIMENSIONS SHOWN FOR LOCATION OF SUPPLIED AND "P" TRAP ARE SUGGESTED.  
FITTINGS NOT INCLUDED WITH FIXTURE AND MUST BE ORDERED SEPARATELY.  
SEALING COMPOUND SUPPLIED BY OTHERS.

**IMPORTANT:** Dimensions of fixtures are nominal and may vary within the range of tolerances established by ANSI Standard A112.19.3.  
These measurements are subject to change or cancellation. No responsibility is assumed for use of superseded or voided pages.