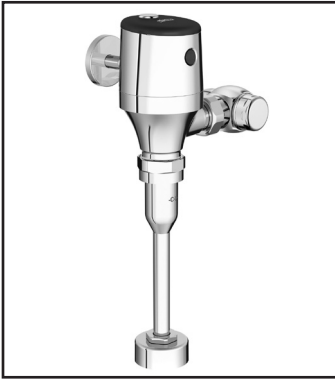


# Ultima® Selectronic® Exposed Urinal Flush Valve Diaphragm-Type Hard-Wired AC Powered, Base Model



## GENERAL DESCRIPTION:

Touchless Selectronic® diaphragm-operated flush valve for 3/4" top spud urinals.

## PRODUCT FEATURES:

- **Automatic touchless operation** limits the spread of germs for a safer restroom
- **Programmable Selectronic® sensor**
- **DynaClean®** self-cleaning wiper spring technology significantly reduces maintenance and downtime
- **Wiper spring** cleans the refill orifice with every flush; preventing valve run-on from clogging
- **Premium EvoLast®** diaphragm material is chloramine-resistant to prevent premature deterioration and failure
- **State-of-the-Art Electronics** prevent ghost flushing
- **Fully Mechanical Manual Override Button** can flush the valve without power
- **Adjustable Sanitary Flush** cleans the fixture and maintains the trap seal
- **Detection range** can be adjusted manually or with optional remote control
- **Dezincification-resistant brass alloy** withstands the most severe water conditions
- **High back pressure vacuum breaker** prevents dripping
- **Adjustable tailpiece** for rough-in flexibility. Can be installed left or right handed
- **ADA compliant**



## MODEL NUMBER:

- ☐ **624B013.002** Base Model, 11-1/2" rough-in, 0.125 gpf/0.5 Lpf  
For use with Hard-Wired AC or Multi-AC
- ☐ **624B051.002 SAME AS ABOVE**, 11-1/2" rough-in, 0.5 gpf/1.9 Lpf
- ☐ **624B101.002 SAME AS ABOVE**, 11-1/2" rough-in, 1.0 gpf/3.8 Lpf

## INCLUDES:

- Inlet includes 3/4" sweat solder kit and angle stop with back flow protection and vandal-resistant cap.
- Outlet includes 3/4" high back pressure vacuum breaker with spud coupling and flange.

## POWER KITS: (Must be Purchased Separately)

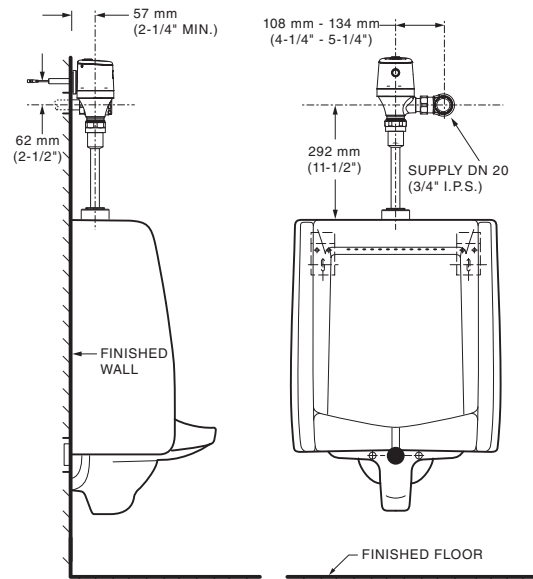
- ☐ **PK00.HAC** Hard-Wired AC transformer and 10' extension cable
- ☐ **PK00.MAC** Multi-AC adapter and 10' extension cable

## OPERATING PRESSURE:

20 psi (flowing) - 80 psi (static)

## FLOW REQUIREMENT:

10 gpm (37.9 L/min.)



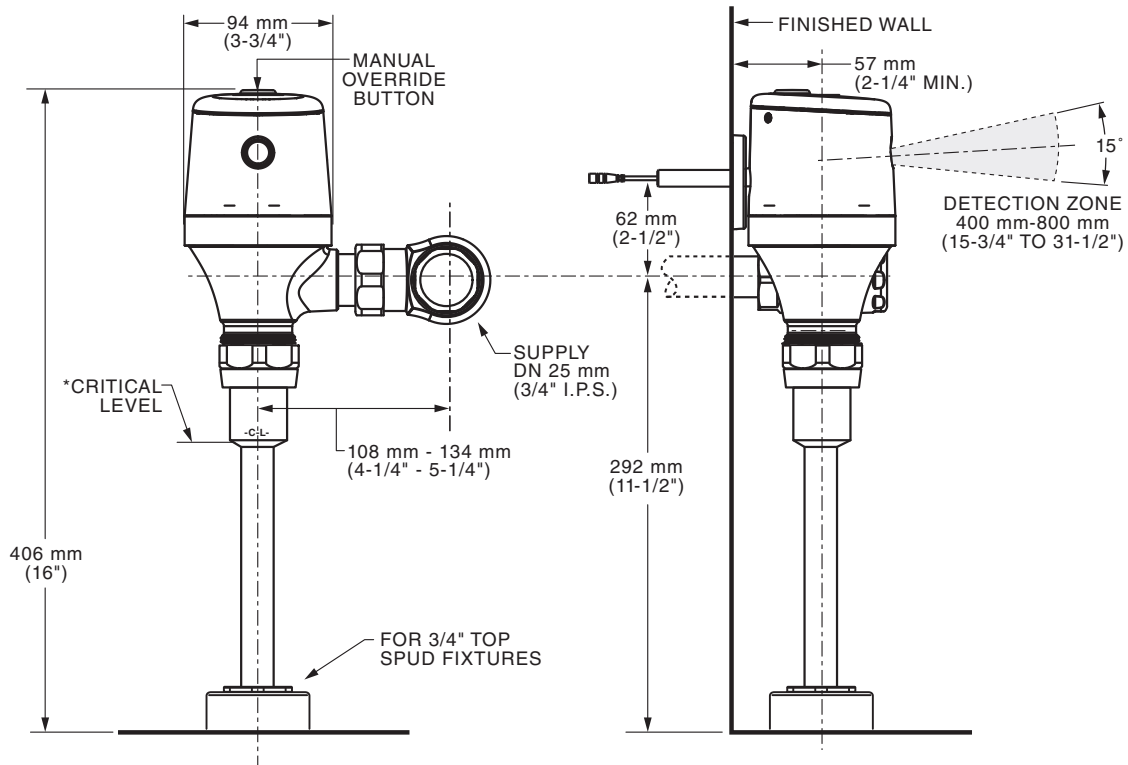
## RECOMMENDED SPECIFICATION:

Touchless, sensor-operated urinal flush valve shall feature self-cleaning diaphragm valve with integral DynaClean® wiper spring in bypass orifice to prevent clogging and valve run-on. Advanced EvoLast® diaphragm material provides superior chorine- and chloramine resistance. Includes fully mechanical manual override that can flush the valve without power. Dezincification-resistant cast brass valve body with chrome finish. High back pressure vacuum breaker included. 0.125 gpf / 0.5 gpf / 1.0 gpf flush valve shall be American Standard Model # 624B\_\_\_.002.

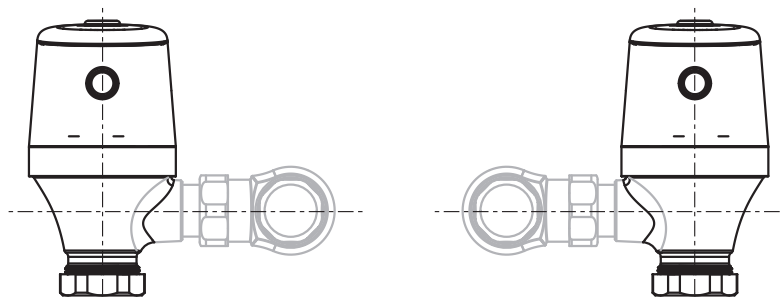
**LISTINGS:**

- ASSE 1037
- ANSI/ASME A112.19.2
- ADA Compliant

**Roughing-in Dimensions**



\*Note: The Critical Line (-C-L-) on Vacuum Breaker must typically be 6" (152mm) above fixture. Consult Codes for details.



**Right or Left Hand Installation**