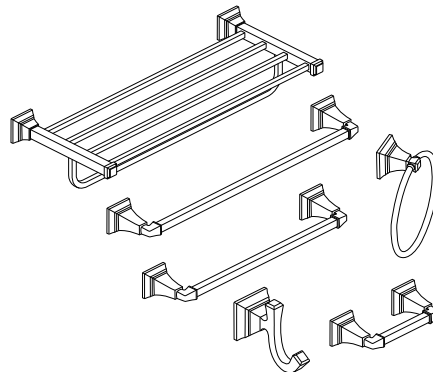


Town Square® S

- 18" Towel Bar
- 24" Towel Bar
- Towel Ring
- Robe Hook
- Toilet Paper Holder
- 23-5/8" Train Rack

INSTALLATION INSTRUCTIONS

- 7455018 Series
- 7455024 Series
- 7455190 Series
- 7455210 Series
- 7455230 Series
- 7455260 Series

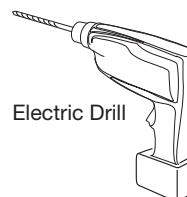
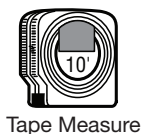


Certified to comply with ANSI A112.18.1M

Thank you for selecting American Standard... the benchmark of fine quality for over 140 years.

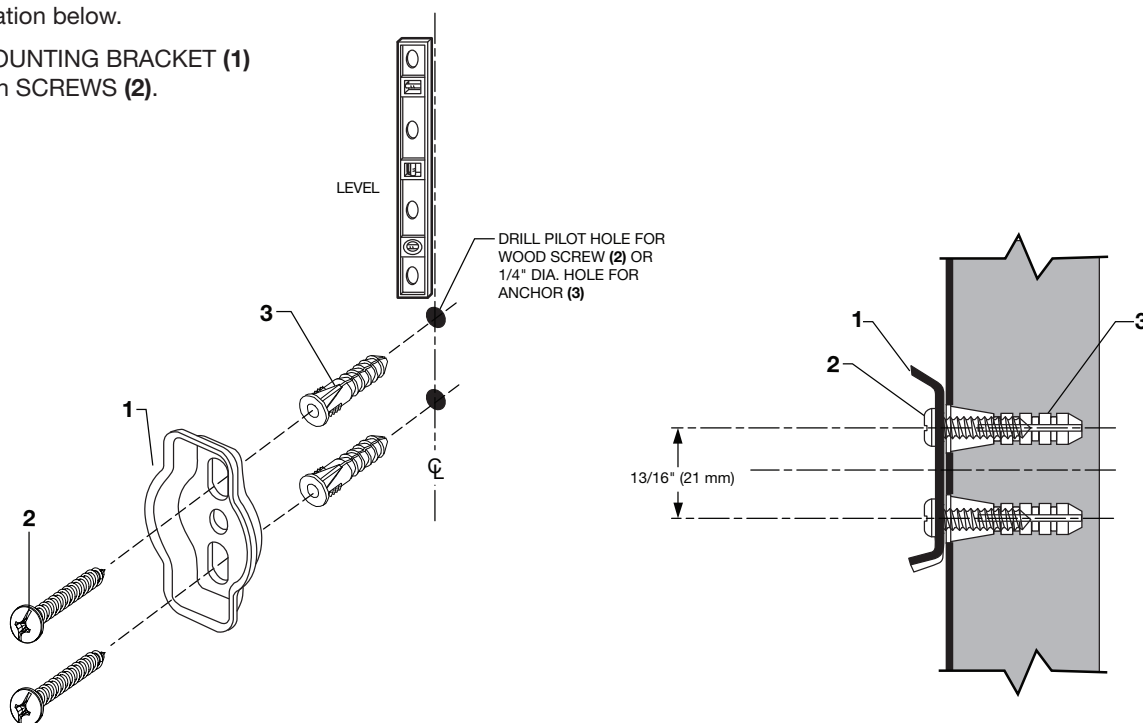
To ensure that your installation proceeds smoothly-please read these instructions carefully before you begin.

RECOMMENDED TOOLS



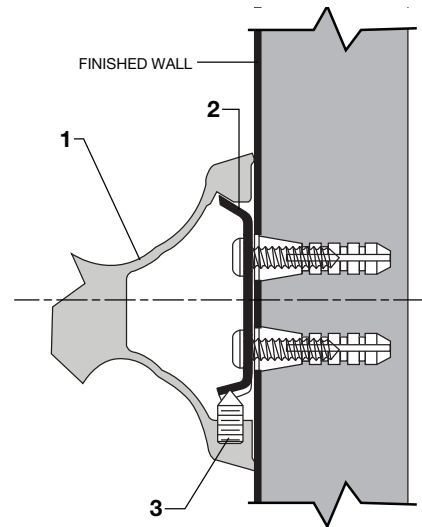
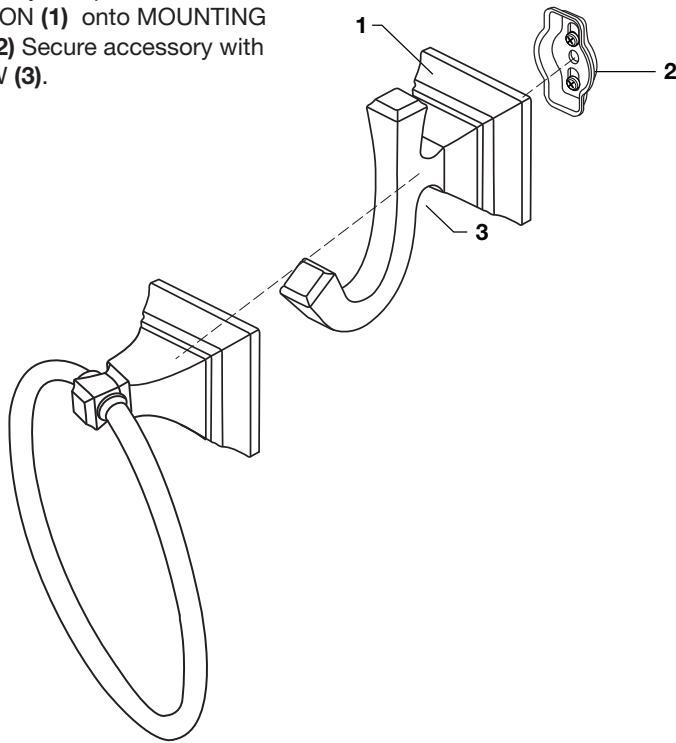
1 INSTALLATION OF MOUNTING BRACKETS FOR ALL WALL MOUNTED ACCESSORIES

- The WALL MOUNTED ACCESSORIES work best if secured to a wall stud or cross brace within the wall, using the SCREWS (2) supplied.
- If the ACCESSORY is to be installed on a tile or plaster wall, the ANCHORS (3) and SCREWS (2) should be used.
- Determine desired height and location (optional) and mark a center line. Make sure the centerline is level. Using the MOUNTING BRACKET (1) as a template, mark the two spots for the mounting holes. If MOUNTING BRACKET (1) is secured to a stud or cross brace, drill small pilot holes for SCREWS (2).
- For installations on tiled walls or drywall, use TILE ANCHORS (3) and SCREWS (2) for securing MOUNTING BRACKET (1) to wall. Drill two 1/4" diameter holes a minimum of 1-1/4" deep. Insert the two TILE ANCHORS (3) flush with face of finished wall. Place MOUNTING BRACKET (1) over TILE ANCHORS (3) and insert SCREWS (2) provided with a flat blade screwdriver. See illustration below.
- Secure MOUNTING BRACKET (1) to wall with SCREWS (2).



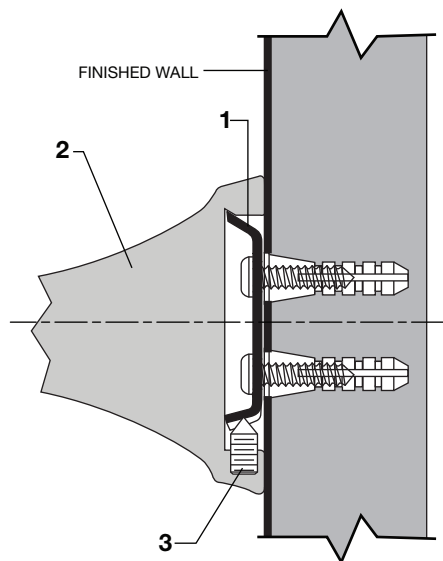
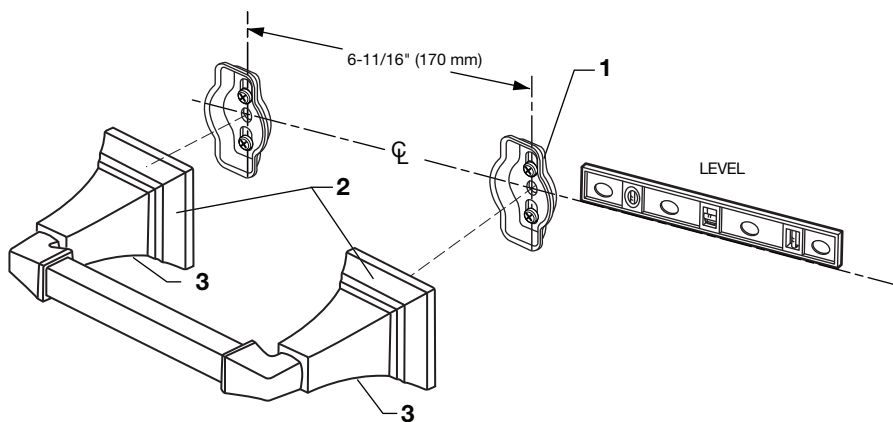
2 TOWEL RING and ROBE HOOK INSTALLATION

- Refer to **Step 1** for installation of MOUNTING BRACKETS (2). Align accessory and place ACCESSORY ESCUTCHEON (1) onto MOUNTING BRACKET (2). Secure accessory with SET SCREW (3).



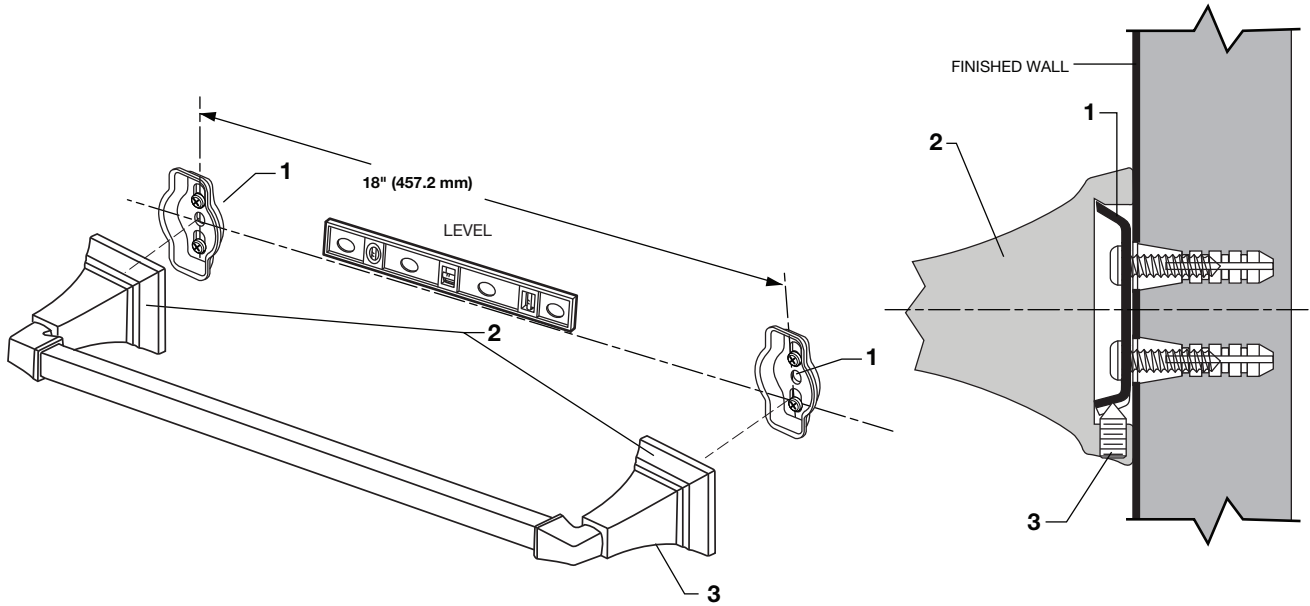
3 INSTALL TOILET PAPER HOLDER

- Refer to **Step 1** for installation of MOUNTING BRACKETS (1). **NOTE: The center line distance between the two MOUNTING BRACKETS is 6-11/16" (170 mm). Make sure the two MOUNTING BRACKETS (1) are level.**
- Install the ACCESSORY ESCUTCHEONS (2) on the MOUNTING BRACKETS (1). Secure ACCESSORY ESCUTCHEONS (2) with SET SCREW (3).



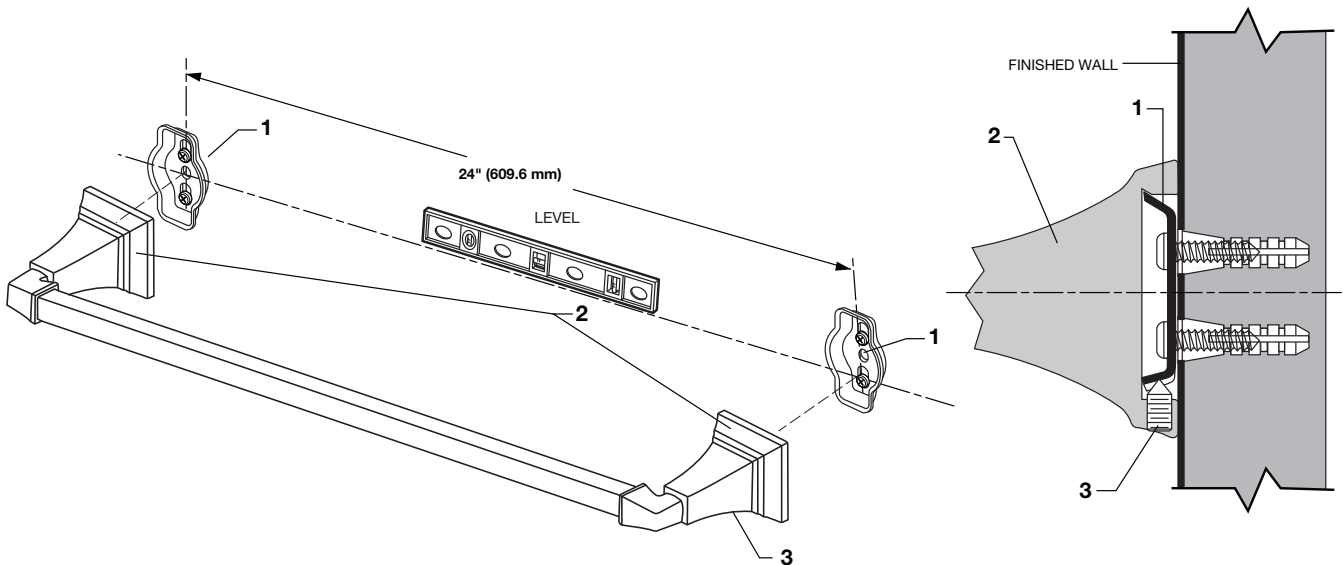
4 18" TOWEL BAR INSTALLATION

- Refer to **Step 1** for installation of MOUNTING BRACKETS (1). **NOTE: The center line distance between the two MOUNTING BRACKETS is 18" (457.2 mm). Make sure the two MOUNTING BRACKETS (1) are level.**
- Install the ACCESSORY ESCUTCHEONS (2) on the MOUNTING BRACKETS (1). Secure ACCESSORY ESCUTCHEONS (2) with SET SCREW (3).



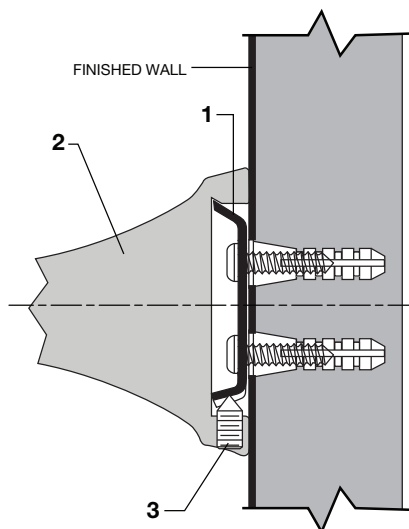
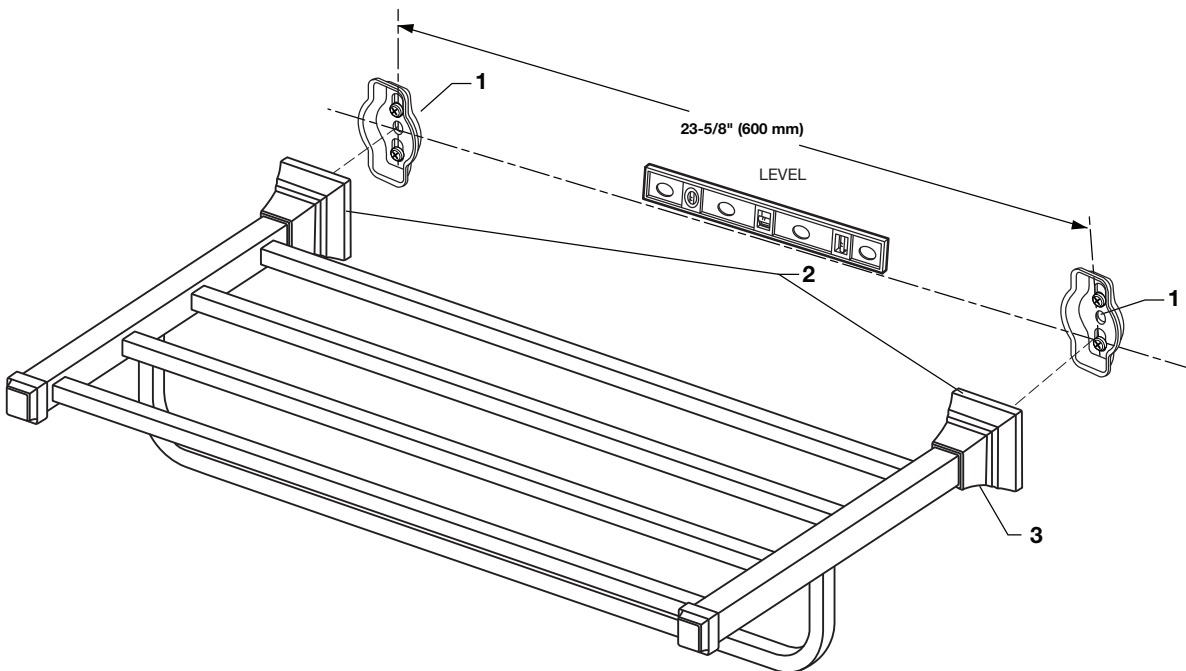
5 24" TOWEL BAR INSTALLATION

- Refer to **Step 1** for installation of MOUNTING BRACKETS (1). **NOTE: The center line distance between the two MOUNTING BRACKETS is 24" (609.6 mm). Make sure the two MOUNTING BRACKETS (1) are level.**
- Install the ACCESSORY ESCUTCHEONS (2) on the MOUNTING BRACKETS (1). Secure ACCESSORY ESCUTCHEONS (2) with SET SCREW (3).



6 23-5/8" TRAIN RACK

- Refer to **Step 1** for installation of MOUNTING BRACKETS (1).
NOTE: The center line distance between the two MOUNTING BRACKETS is 23-5/8" (600 mm).
Make sure the two MOUNTING BRACKETS (1) are level.
- Install the ACCESSORY ESCUTCHEONS (2) on the MOUNTING BRACKETS (1).
Secure ACCESSORY ESCUTCHEONS (2) with SET SCREW (3).



7 CARE INSTRUCTIONS:

DO: CLEAN WITH CLEAR WATER. DRY WITH A SOFT COTTON FLANNEL CLOTH.

DO NOT: DO NOT CLEAN THE PRODUCT WITH SOAPS, ACID, POLISH, ABRASIVES, HARSH CLEANERS, OR A CLOTH WITH A COARSE SURFACE.

American Standard

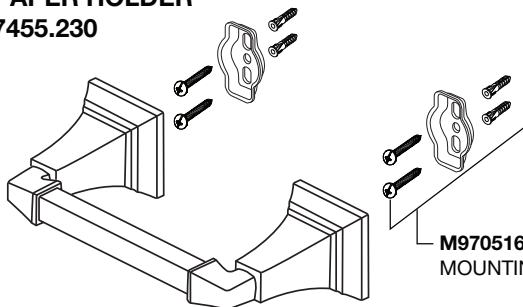
Town Square® S

- 18" Towel Bar
- 24" Towel Bar
- Towel Ring
- Robe Hook
- Toilet Paper Holder
- 23-5/8" Train Rack

MODEL NUMBERS

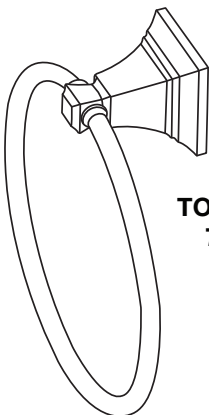
- 7455018 Series
- 7455024 Series
- 7455190 Series
- 7455210 Series
- 7455230 Series
- 7455260 Series

TOILET PAPER HOLDER
7455.230

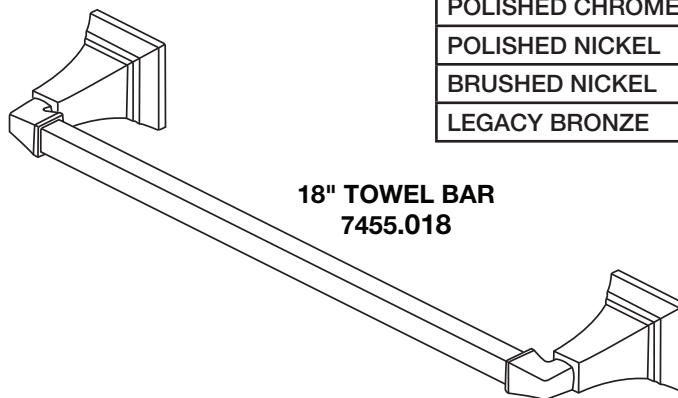


M970516-0070A
MOUNTING KIT

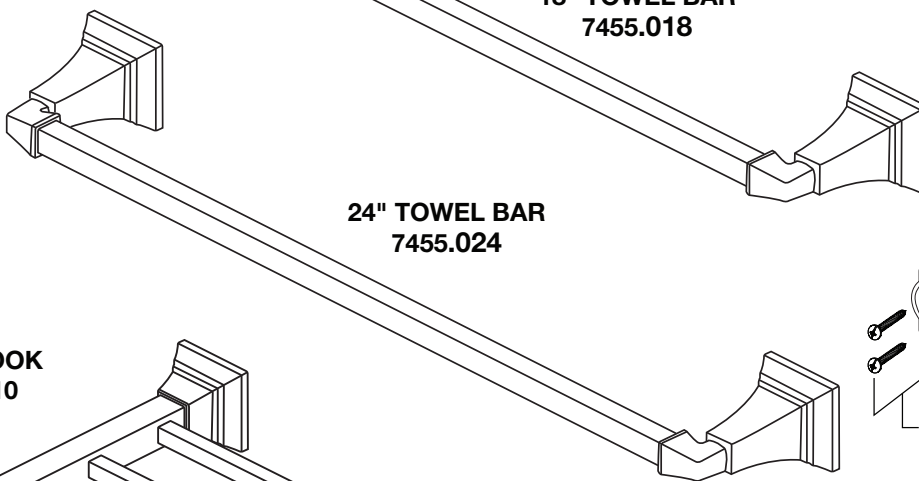
TOWEL RING
7455.190



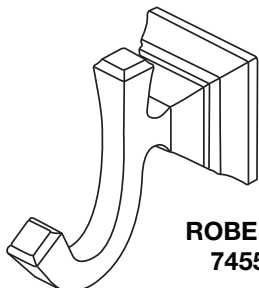
18" TOWEL BAR
7455.018



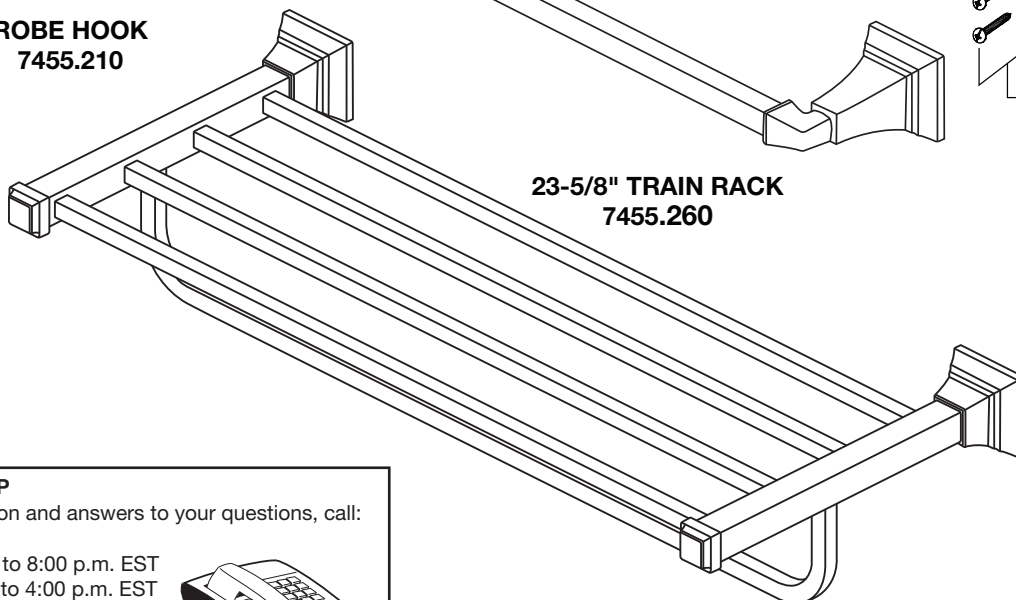
24" TOWEL BAR
7455.024



ROBE HOOK
7455.210



23-5/8" TRAIN RACK
7455.260



M970516-0070A
MOUNTING KIT

Replace the "YYY" with appropriate finish code

POLISHED CHROME	002
POLISHED NICKEL	013
BRUSHED NICKEL	295
LEGACY BRONZE	278

HOT LINE FOR HELP

For toll-free information and answers to your questions, call:
1 (800) 442-1902

Mon. - Fri. 8:00 a.m. to 8:00 p.m. EST
Saturday 10:00 a.m. to 4:00 p.m. EST

IN CANADA 1-800-387-0369
(TORONTO 1-905-306-1093)

Weekdays 8:00 a.m. to 7:00 p.m. EST

IN MEXICO 01-800-839-1200



PART OF LIXIL