

# FLOPLUS<sup>®</sup> HEAVY-DUTY FILTRATION SYSTEMS



## APPLICATIONS

- ◆ Whole House

## FEATURES • BENEFITS

- ◆ Whole house chlorine and bad taste & odor reduction
- ◆ NSF/ANSI Standard 53 certified to reduce cysts such as *Cryptosporidium* and *Giardia* by mechanical means
- ◆ Maximum filtration with minimal pressure drop
- ◆ Integrated drain for easier cartridge change-outs
- ◆ Available in two sizes to meet inlet/outlet and gpm requirements

EPA Est. No. 090375-MEX-001

## INSTALLATION TIPS

- ◆ Choose a mounting location suitable to support the full weight of the system when operating.
- ◆ Make sure to properly lubricate o-ring prior to use.
- ◆ Use 3/4" water line (optional reducer bushings included).
- ◆ Install vertically with bowl hanging down.
- ◆ Allow 2-1/2" (6.35 cm) clearance below the cartridge for easy cartridge replacement.

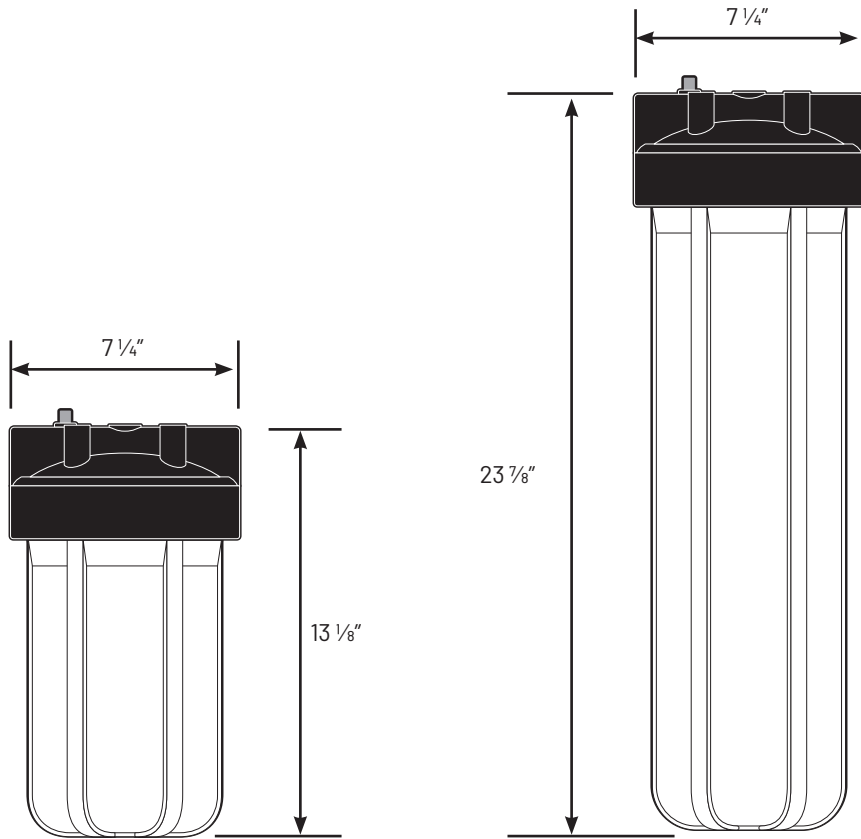
## OPERATION TIPS

- ◆ Replace cartridge if flow rate decreases.
- ◆ Do not exceed service flow rate.
- ◆ Inspect o-ring during each cartridge change. Lubricate and/or replace if necessary.

## INCLUDES

- ◆ Filter housing and cartridge
- ◆ Wrench
- ◆ Installation kit
- ◆ Installation and operation manual

# PENTAIR FLOPLUS HEAVY-DUTY FILTRATION SYSTEMS



## 152094

10" BLUE Sump	153029
Black Cap	154166
O-ring (W10-OR)	SH143273
10" Cartridge	455905-43
Mounting Bracket	SH244718
Wrench (SW-3)	SH144368
Drain Kit	244736

## 152095

20" Blue Sump	153070
Black Cap	154167
O-ring (W10-OR)	SH143273
20" Cartridge	455906-43
Mounting Bracket	SH244718
Wrench (SW-4)	SH144368
Drain Kit	244736

The Models FPS-10BB and FPS-20BB are Tested and Certified by NSF International against NSF/ANSI Standards 53 and CSA B483.1 for the reduction of substances specified in the performance data sheet or at [www.nsf.org](http://www.nsf.org).

PART NUMBER	DIMENSIONS H x D	MICRON RATING (NOMINAL) μ	FLOW RATE	INITIAL ΔP (PSI) @ FLOW RATE (GPM)	CHLORINE TASTE & ODOR REDUCTION @ FLOW RATE (GPM)	INLET/ OUTLET	CARTRIDGE SIZE H x D
152094	13 1/8" x 7 1/4" (333 mm x 184 mm)	0.5	10 gpm (37.8 Lpm)	4 psi @ 2 gpm (0.28 bar @ 7.6 Lpm)	>25,000 gal @ 2 gpm (94,635 L @ 7.6 Lpm)	1" NPT	9 3/4" x 4 5/8"
152095	23 7/8" x 7 1/4" (606 mm x 184 mm)	0.5	25 gpm (94.6 Lpm)	4 psi @ 4 gpm (0.28 bar @ 15.2 Lpm)	>50,000 gal @ 4 gpm (189,270 L @ 15.2 Lpm)	1 1/2" NPT	20" x 4 5/8"



13845 Bishops Dr. | Suite 200 | Brookfield, WI 53005 | United States  
 Customer Service: 800.811.3489 | [systems-tech-support@pentair.com](mailto:systems-tech-support@pentair.com) | [pentair.com](http://pentair.com)

§For a detailed list of where Pentair trademarks are registered, please visit [www.pentair.com/registrations](http://www.pentair.com/registrations). Pentair trademarks and logos are owned by Pentair plc or its affiliates. Third party registered and unregistered trademarks and logos are the property of their respective owners.

© 2020 Pentair Residential Filtration, LLC. All rights reserved.