

CIRCO / VOLO

Thermostatic shower system – 2 functions

#91482



Uniplex T .2.3 1/2" thermostatic valve with diverter 2 or 3 way



FEATURES

- Solid brass
- German made cartridges (diverter cartridge not included)
- Service check valves / stop valves
- Optional top outlet 1/2" NPT
- Reversible service check valves with / stop valves
- Diverter test cap
- 1/2" female water inlets/outlets - NPT/sweat
- Flow rate: 6.5 gpm (24.6 L/min)

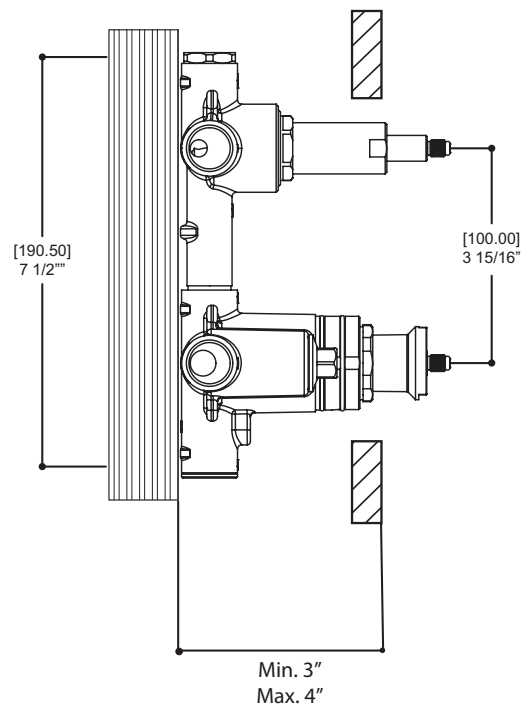
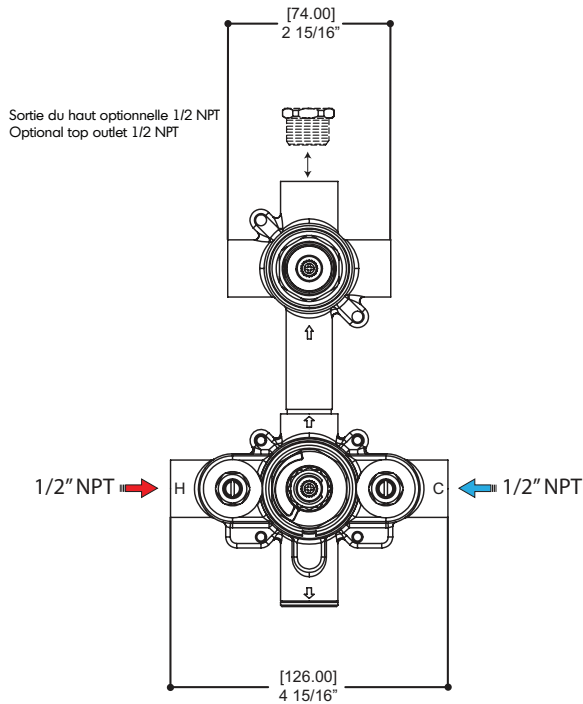
FINISH

Polished chrome (pc)

WARRANTY

Limited lifetime warranty on all cartridges and also on the polished chrome finish. All other components and parts carry a limited five-year warranty.

CODE & COMPLIANCE



VOLO-CIRCO # 10892-10882

Uniplex thermostatic valve trim kit with 2-way diverter for #90801 valves



FEATURES

- Round trim
- Single temperature control
- Safety temperature stop, preset at 38°C
- German made diverter cartridge included (2-way shared #10892 or 2-way non-shared #10882)
- Handles included
- Thermostatic valve Uniplex T.2.3 not included

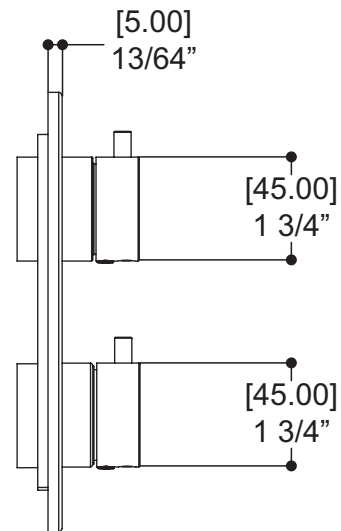
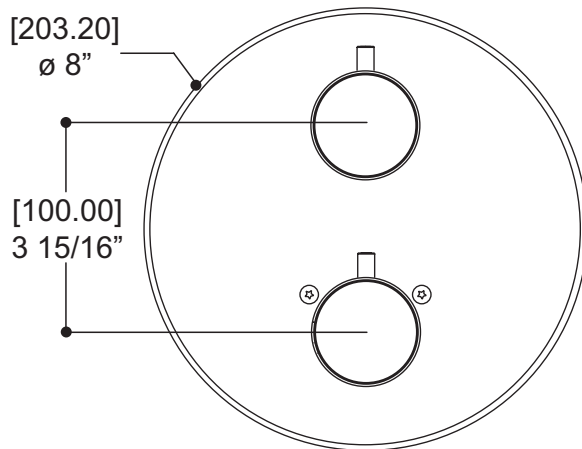
FINISH

Polished chrome (pc)

WARRANTY

limited lifetime warranty on all cartridges and also on the polished chrome finish. All other components and parts carry a limited five-year warranty.

CODE & COMPLIANCE



ROUND ARM # 90768



FEATURES

- 16" round arm (wall installation)
- Solid brass
- Round flange
- 1/2" female water inlet - NPT

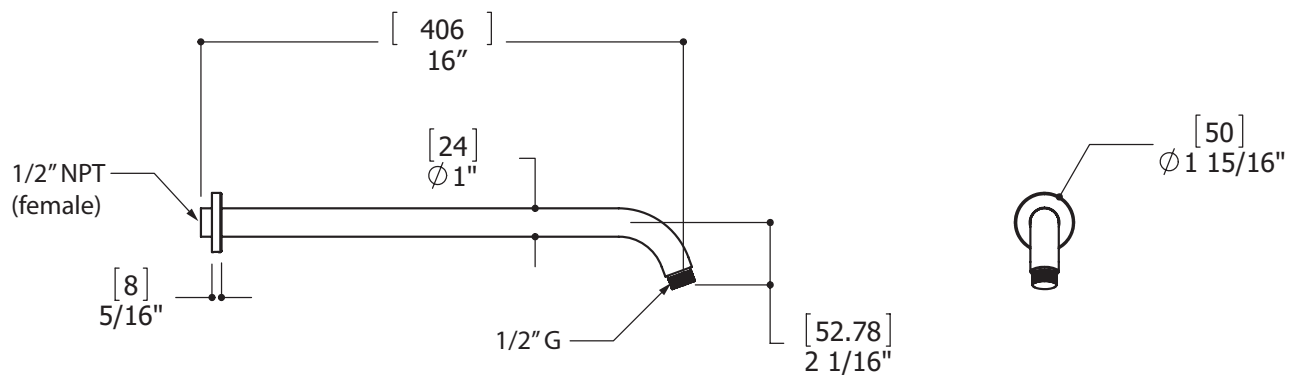
FINISH

Polished chrome (pc)

WARRANTY

limited lifetime warranty on the polished chrome finish. All other components and parts carry a limited five-year warranty.

CODE & COMPLIANCE



4" SHOWER ARM

90858



FEATURES

4" arm (ceiling installation)
 Solid brass
Round flange
 1/2" female water inlet - NPT

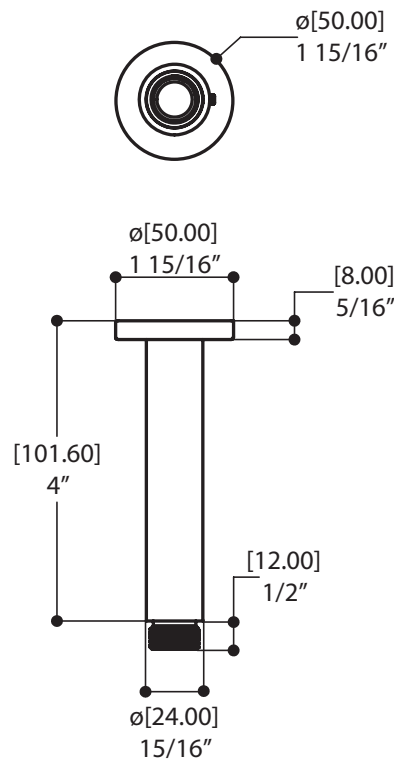
FINISH

Polished chrome (pc)

WARRANTY

limited lifetime warranty on the polished chrome finish. All other components and parts carry a limited five-year warranty.

CODE & COMPLIANCE



9" RAINHEAD # 90813



FEATURES

9" rainhead
 Single function
 Swiveling ball joint
 Reduced water-efficient flow: 2 gpm (7.5 L/min)

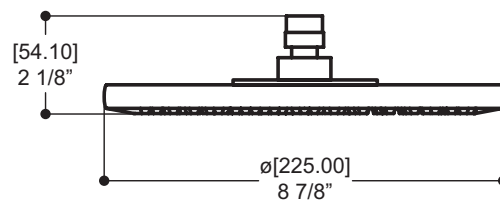
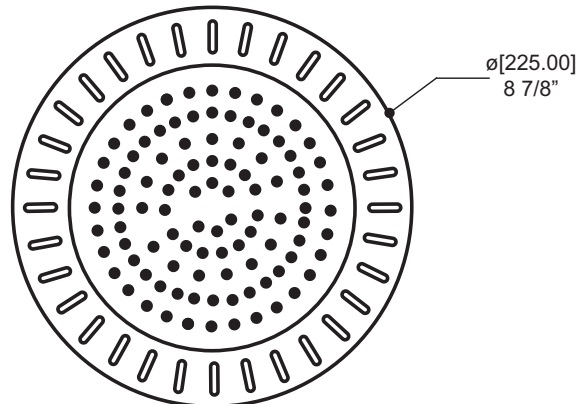
FINISH

Polished chrome (pc)

WARRANTY

limited lifetime warranty on the polished chrome finish. All other components and parts carry a limited five-year warranty.

CODE & COMPLIANCE





ROUND SHOWER RAIL

90840



FEATURES

- 31.5" stainless steel round rail with adjustable handshower support
- Top pivot position adaptable (up to 29 1/2" CC)
- Triple function round handshower (rain, massage, mist)
- 5' double interlock flexible hose, anti-torsion
- Reduced water-efficient flow: 1.75 gpm (7.5 L/min)

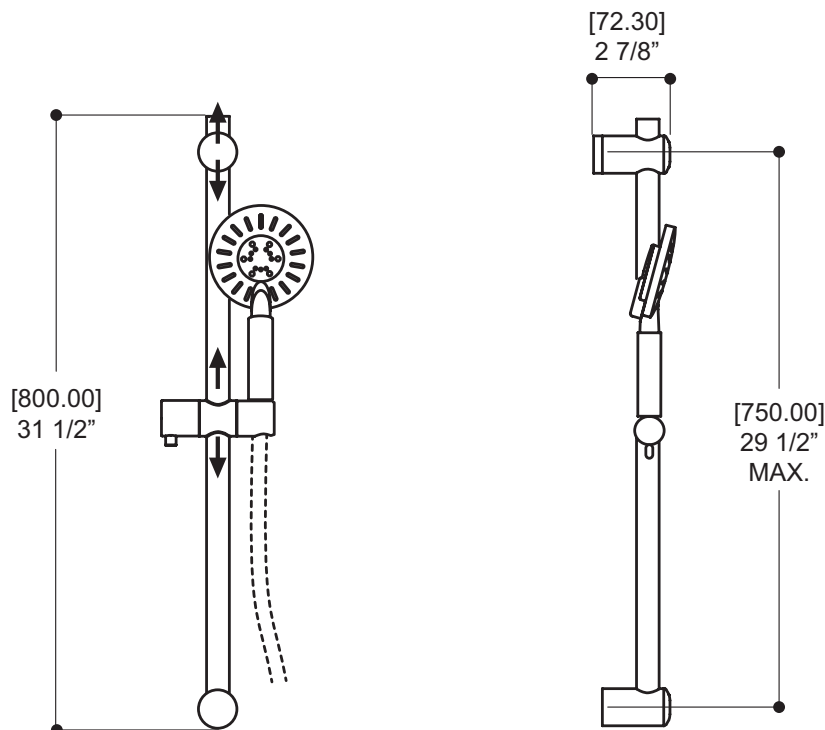
FINISH

Polished chrome (pc)

WARRANTY

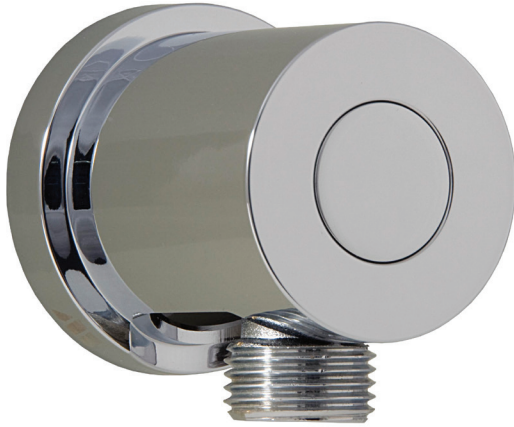
limited lifetime warranty on the polished chrome finish. All other components and parts carry a limited five-year warranty.

CODE & COMPLIANCE



ADJUSTABLE WATERWAY

90734



FEATURES

Innovative 5/8" trim adjustment system to elbow installation
 1/2" female water inlet - NPT

FINISH

Polished chrome (pc)

WARRANTY

limited lifetime warranty on the polished chrome finish. All other components and parts carry a limited five-year warranty.

CODE & COMPLIANCE

