

PROJECT COLLECTION

Grab Bar with Paper Holder - Right
Item # 8289110R



FEATURES

- Twist on/off Rosette
- ADA compliant
- Modern styling
- Durable finishes
- Concealed installation

WARRANTY

- Lifetime limited (Residential use)
- One Year (Commercial use)

FINISHES STOCKED IN

- Polished Chrome (99)
- Polished Nickel (68)
- Brushed Nickel (81)

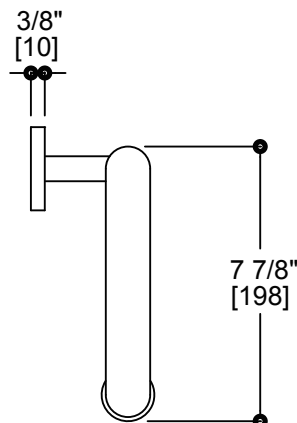
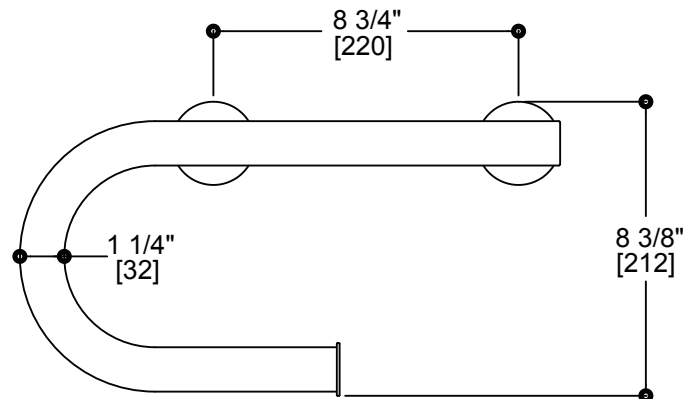
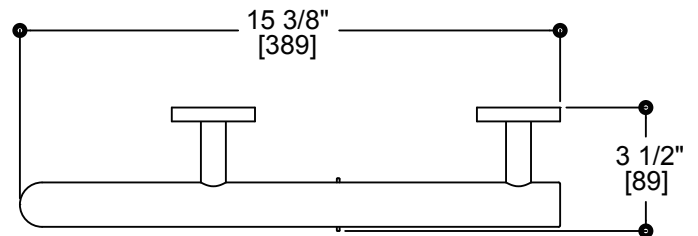
SPECIAL FINISHES AVAILABLE

- Antique Nickel (91)
- Polished Gold (12)
- Brushed Gold (22)
- Brushed Brass (78)
- Black Nickel (40)
- Antique Copper (55)
- Polished Brass (72)
- Antique Brass (69)
- Brushed Chrome (85)
- Oil Rubbed Bronze (21)
- Brushed Bronze (25)
- Titanium(33)
- Glossy White (62)
- Unlacquered brass (75)
- Matte White (26)
- New World Bronze (80)
- Matte Black (48)

MOUNTING HARDWARE

- Mounting kit included

PRODUCT SPECIFICATION SHEET



Note: Dimensions and specifications are subject to change without notice.