



California Faucets®

# KITCHEN

## INDUSTRIAL HOT ONLY WATER DISPENSER

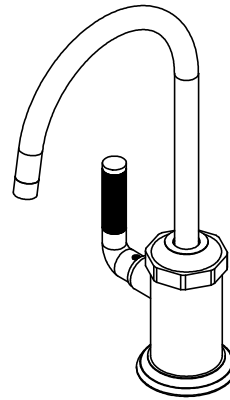
### Features

- All brass construction
- 360° rotating spout
- Insulated body and spout to reduce heat transfer to faucet
- Self-closing handle
- Max flow rate: 1.8 gpm (6.8 L /min); flow rate may vary based on hot water tank used
- Over 30 finishes including 15 PVD finishes
- Requires separate Hot Water Tank (9628SS) sold separately

### Codes/Standards Applicable

Product meets or exceeds the following:

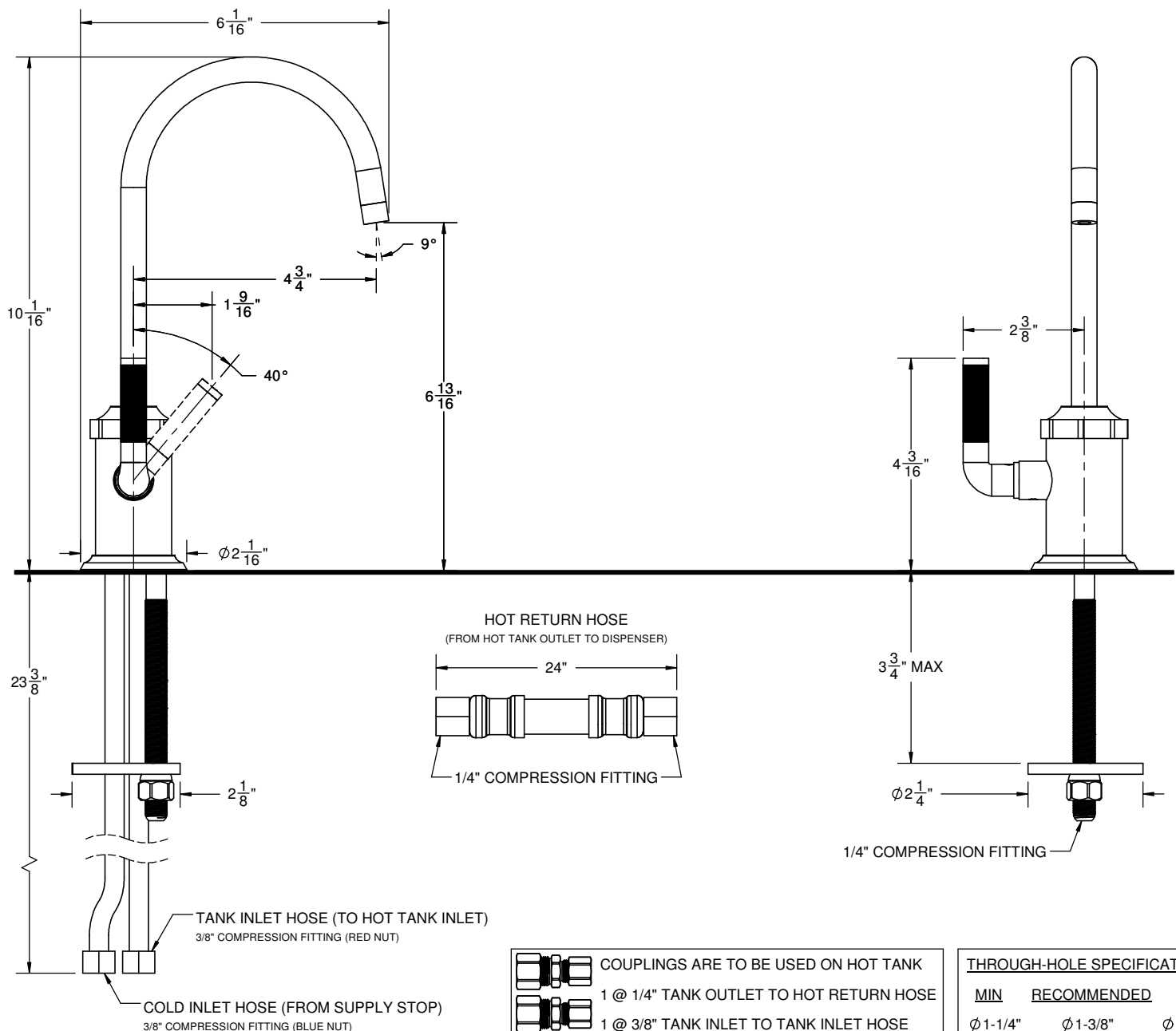
- ASME A112.18.1/CSA B125.1
- NSF 61 and NSF 372



## CF-9625-K30-XX

CF-9625-K30-KL shown

XX = DENOTES HANDLE STYLE



SPECIFICATIONS SUBJECT TO CHANGE WITHOUT NOTICE

ALL DIMENSIONS SHOWN TO NEAREST 1/16"