

California Faucets®

# KITCHEN

## TRANSITIONAL COLD ONLY WATER DISPENSER

### Features

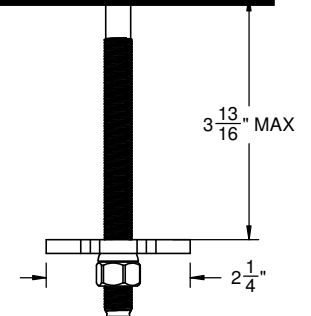
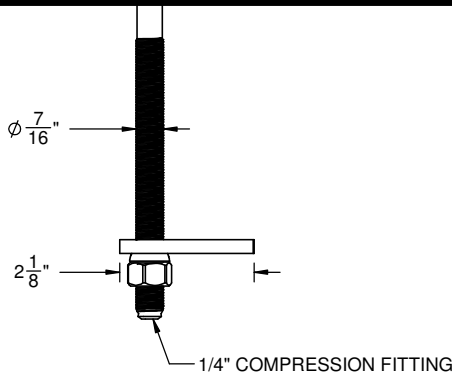
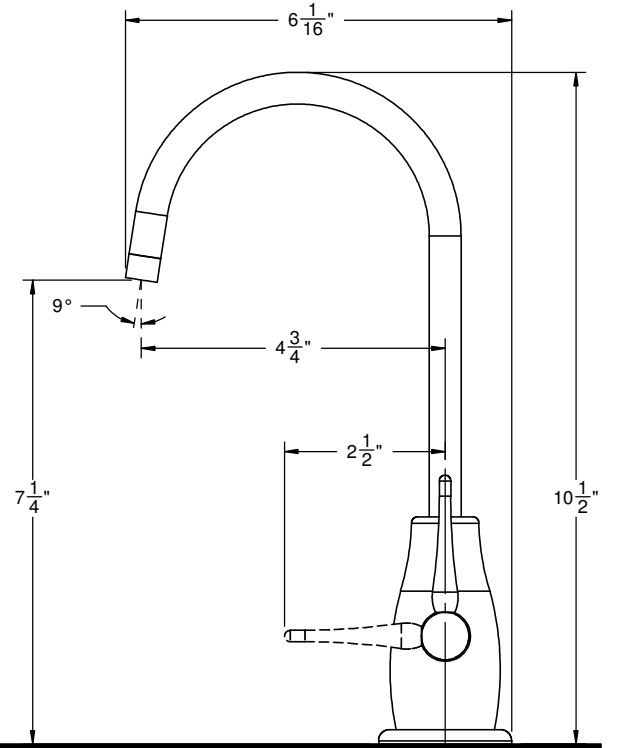
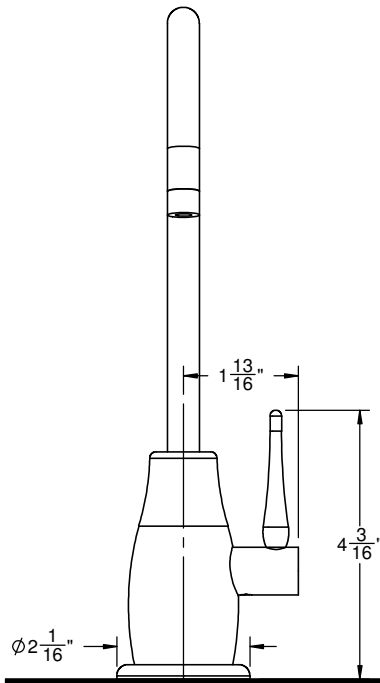
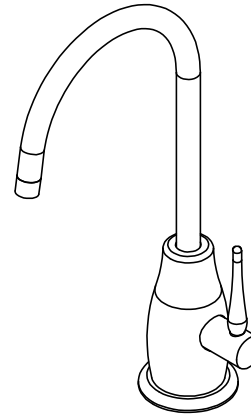
- All brass construction
- 360° rotating spout
- Fits most popular cold/filtered water units with 1/4" compression
- Max flow rate: 1.8 gpm (6.8 L /min); flow rate may vary based on filter unit
- Ceramic disc cartridge
- Over 30 finishes including 15 PVD finishes

### Codes/Standards Applicable

Product meets or exceeds the following:

- ASME A112.18.1/CSA B125.1
- NSF 61 and NSF 372
- CEC/DOE
- Commonwealth of MA
- ADA compliant

# CF-9620-K80



THROUGH-HOLE SPECIFICATIONS		
MIN	RECOMMENDED	MAX
ϕ 1/2"	ϕ 1"	ϕ 1-1/2"

SPECIFICATIONS SUBJECT TO CHANGE WITHOUT NOTICE

ALL DIMENSIONS SHOWN TO NEAREST 1/16"